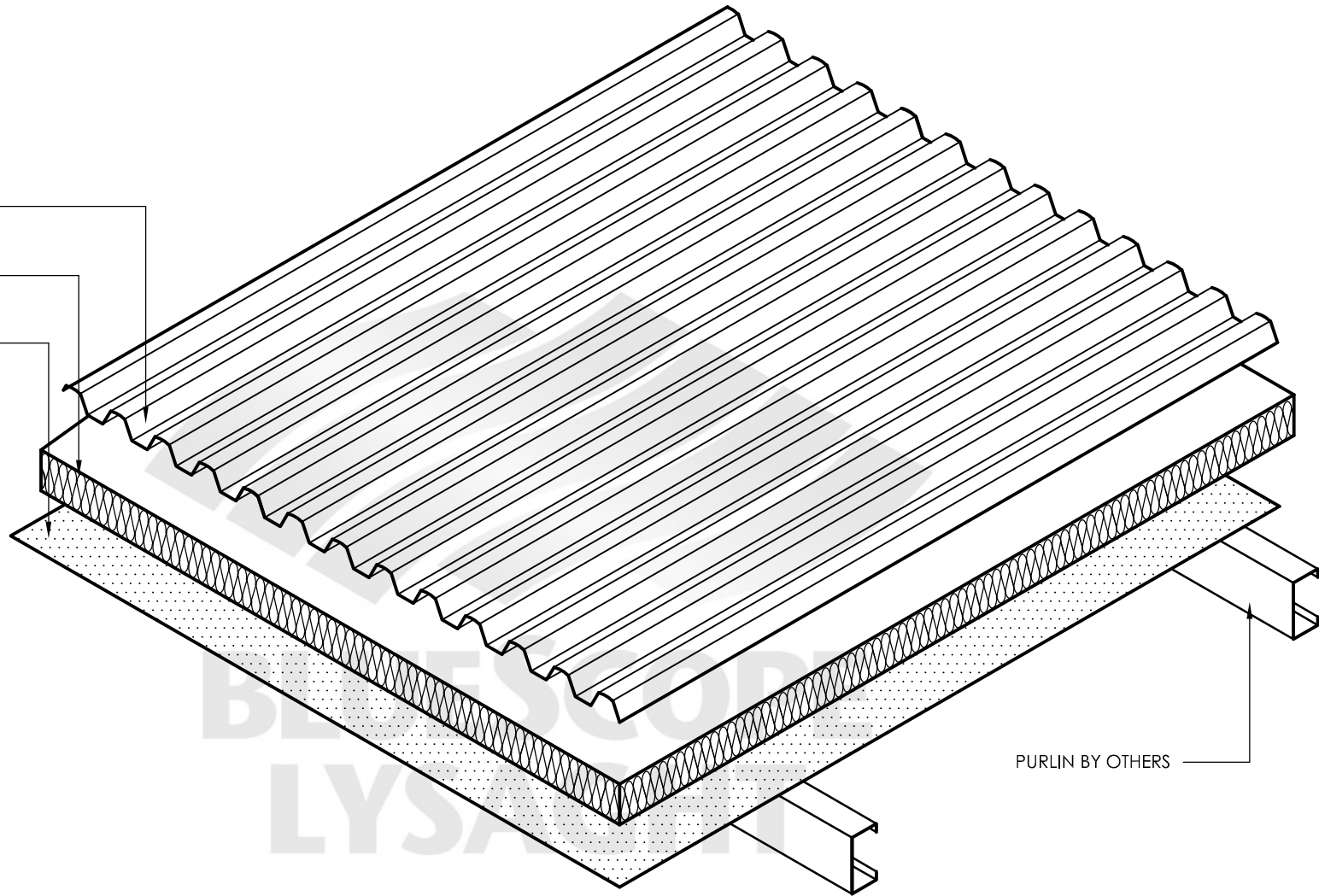


LYSAGHT® SPANDEK® OPTIMA™
0.53mm TCT IN COLORBOND® STEEL

INSULATION TO SPECIFICATION

1 LAYER OF DOUBLE
SIDED ALUMINIUM FOIL



PURLIN BY OTHERS

Copyright : This design and print is the property of NS BlueScope Lysaght Malaysia Sdn. Bhd. and must not be used reproduced or copied, wholly or in part without written permission from Company. All rights reserved.



NS BlueScope Lysaght
Malaysia Sdn. Bhd.
No.6 Persiaran Kemajuan Seksyen 16
40200 Shah Alam.
Selangor Darul Ehsan, Malaysia.
Tel. : (603) 5520 6600
Fax : (603) 5520 6601

PROJECT:

-

DRAWN BY:		CHECKED BY:		APPROVED BY:	
ZAID		JULALI		SURAYA	
REV.	DATE	DESCRIPTION			
CAD FILENAME:		T:/SRT_OG/NON-JKR	PAPER SIZE	A3	

TITLE:

LYSAGHT® SPANDEK® OPTIMA™
STANDARD ROOF SYSTEM

SCALE: N.T.S

DRAWING NO:

BSLM/0520/TYP/SP-DTL-01

DATE : 21.05.2020

REV.

0

LYSAGHT® EAVE FLASHING, 0.47mm TCT IN COLORBOND® STEEL

PANS TURN DOWN ON SITE

LYSAGHT® SPANDEK OPTIMA™
0.53mm TCT IN COLORBOND® STEEL

INSULATION TO SPECIFICATION

1 LAYER OF DOUBLE-SIDED REINFORCED
WOVEN ALUMINIUM FOIL

FALL

100MM

LYSAGHT® TYPICAL EAVE
FLASHING

ADDITIONAL SUPPORT TO BE PROVIDED
AND INSTALLED BY MAIN CONTRACTOR

Copyright : This design and print is the property of NS BlueScope Lysaght Malaysia Sdn. Bhd. and must not be used reproduced or copied, wholly or in part without written permission from Company. All rights reserved.



**NS BlueScope Lysaght
Malaysia Sdn. Bhd.**
No.6 Persiaran Kemajuan Seksyen 16
40200 Shah Alam.
Selangor Darul Ehsan, Malaysia.
Tel. : (603) 5520 6600
Fax : (603) 5520 6601

PROJECT:
-

DRAWN BY:		CHECKED BY:		APPROVED BY:	
ZAID		JULAILI		SURAYA	
REV.	DATE	DESCRIPTION			
CAD FILENAME:		T:/SRT_OG/NON-JKR	PAPER SIZE:	A3	

TITLE:

**LYSAGHT® SPANDEK® OPTIMA™
TYPICAL EAVE FLASHING**

SCALE: N.T.S

DRAWING NO:

BSLM/0520/TYP/SP-DTL-01

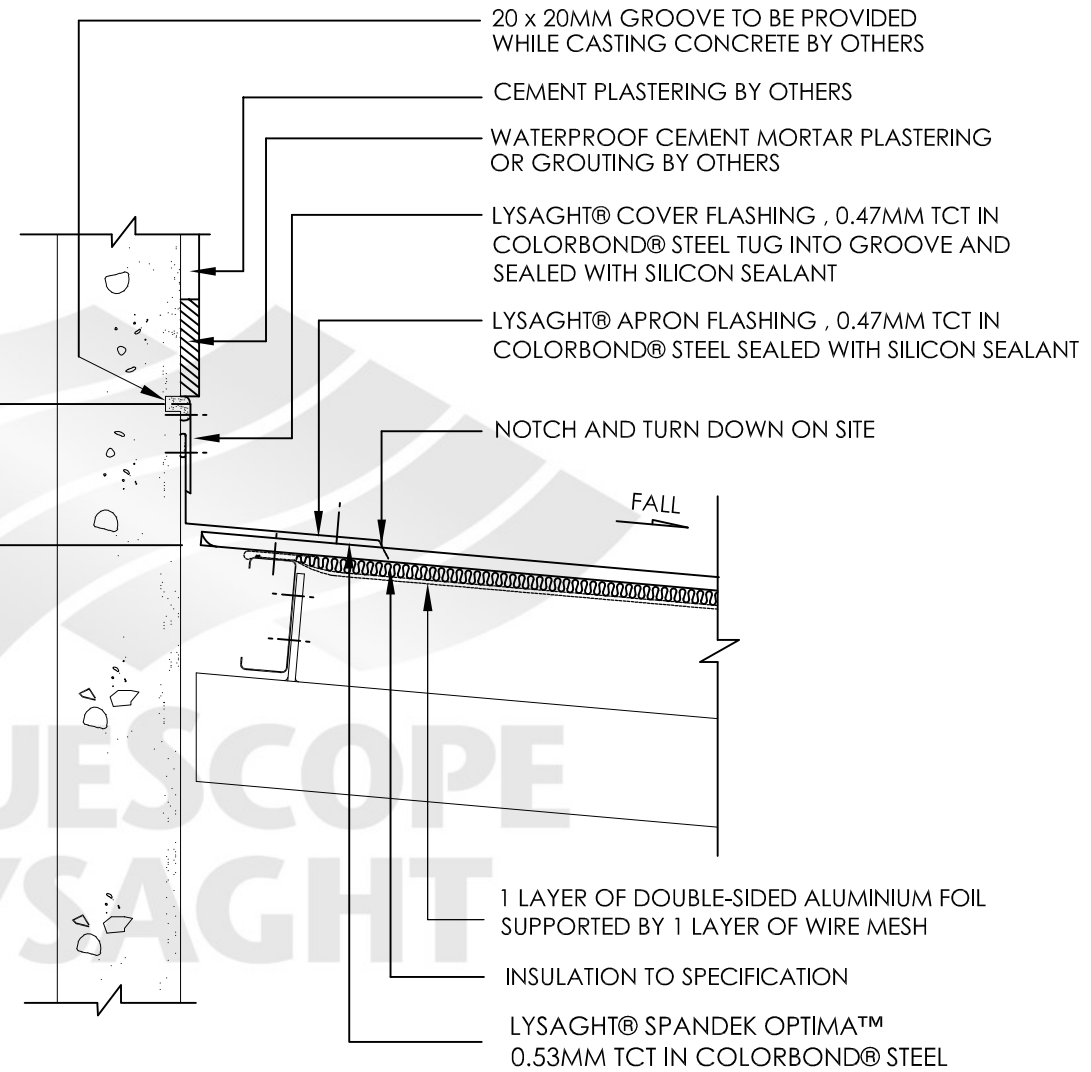
REV.

0

LYSAGHT® TYPICAL TRANS.
APRON FLASHING

LYSAGHT® TYPICAL COVER
FLASHING

APPROX. 175MM



- 20 x 20MM GROOVE TO BE PROVIDED WHILE CASTING CONCRETE BY OTHERS
- CEMENT PLASTERING BY OTHERS
- WATERPROOF CEMENT MORTAR PLASTERING OR GROUTING BY OTHERS
- LYSAGHT® COVER FLASHING , 0.47MM TCT IN COLORBOND® STEEL TUG INTO GROOVE AND SEALED WITH SILICON SEALANT
- LYSAGHT® APRON FLASHING , 0.47MM TCT IN COLORBOND® STEEL SEALED WITH SILICON SEALANT
- NOTCH AND TURN DOWN ON SITE
- 1 LAYER OF DOUBLE-SIDED ALUMINIUM FOIL SUPPORTED BY 1 LAYER OF WIRE MESH
- INSULATION TO SPECIFICATION
- LYSAGHT® SPANDEK OPTIMA™ 0.53MM TCT IN COLORBOND® STEEL

Copyright : This design and print is the property of NS BlueScope Lysaght Malaysia Sdn. Bhd. and must not be used reproduced or copied, wholly or in part without written permission from Company. All rights reserved.



**NS BlueScope Lysaght
Malaysia Sdn. Bhd.**
No.6 Persiaran Kemajuan Seksyen 16
40200 Shah Alam.
Selangor Darul Ehsan, Malaysia.
Tel. : (603) 5520 6600
Fax : (603) 5520 6601

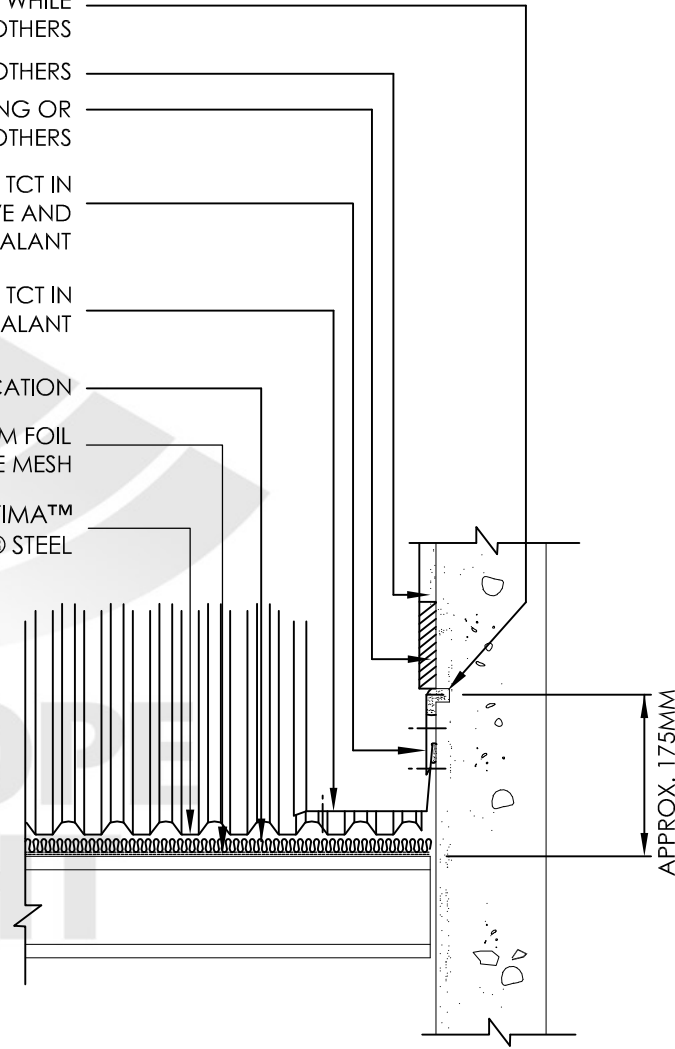
PROJECT: -		DRAWN BY: ZAID		CHECKED BY: JULAILI		APPROVED BY: SURAYA		TITLE: LYSAGHT® SPANDEK® OPTIMA™ TYPICAL APRON FLASHING (1/2) -	
REV.	DATE	DESCRIPTION							
CAD FILENAME: T:/SRT_OG/NON-JKR		PAPER SIZE	A3	SCALE:	N.T.S	DRAWING NO: BSLM/0520/TYP/SP-DTL-02		REV. 0	
				DATE :	21.05.2020				

File C:\Users\T20202\Desktop\New Spandek_Optima\New Spandek_Optima.dwg [Mon, 27 Jul 2020 - 2:06pm] PLOTTED BY: tzjzht

LYSAGHT® TYPICAL LONG.
APRON FLASHING

LYSAGHT® TYPICAL COVER
FLASHING

- 20 X 20MM GROOVE BE PROVIDED WHILE CASTING CONCRETE BY OTHERS
- CEMENT PLASTERING BY OTHERS
- WATERPROOF CEMENT MORTAR PLASTERING OR GROUTING BY OTHERS
- LYSAGHT® COVER FLASHING , 0.47MM TCT IN COLORBOND® STEEL TUG INTO GROOVE AND SEALED WITH SILICON SEALANT
- LYSAGHT® APRON FLASHING , 0.47MM TCT IN COLORBOND® STEEL SEALED WITH SILICON SEALANT
- INSULATION TO SPECIFICATION
- 1 LAYER OF DOUBLE-SIDED ALUMINIUM FOIL SUPPORTED BY 1 LAYER OF WIRE MESH
- LYSAGHT® SPANDEK OPTIMA™ 0.53MM TCT IN COLORBOND® STEEL



BLUESCOPE
LYSAGHT

Copyright : This design and print is the property of NS BlueScope Lysaght Malaysia Sdn. Bhd. and must not be used reproduced or copied, wholly or in part without written permission from Company. All rights reserved.

NS BlueScope Lysaght
Malaysia Sdn. Bhd.
No.6 Persiaran Kemajuan Seksyen 16
40200 Shah Alam.
Selangor Darul Ehsan, Malaysia.
Tel. : (603) 5520 6600
Fax : (603) 5520 6601

PROJECT:
-

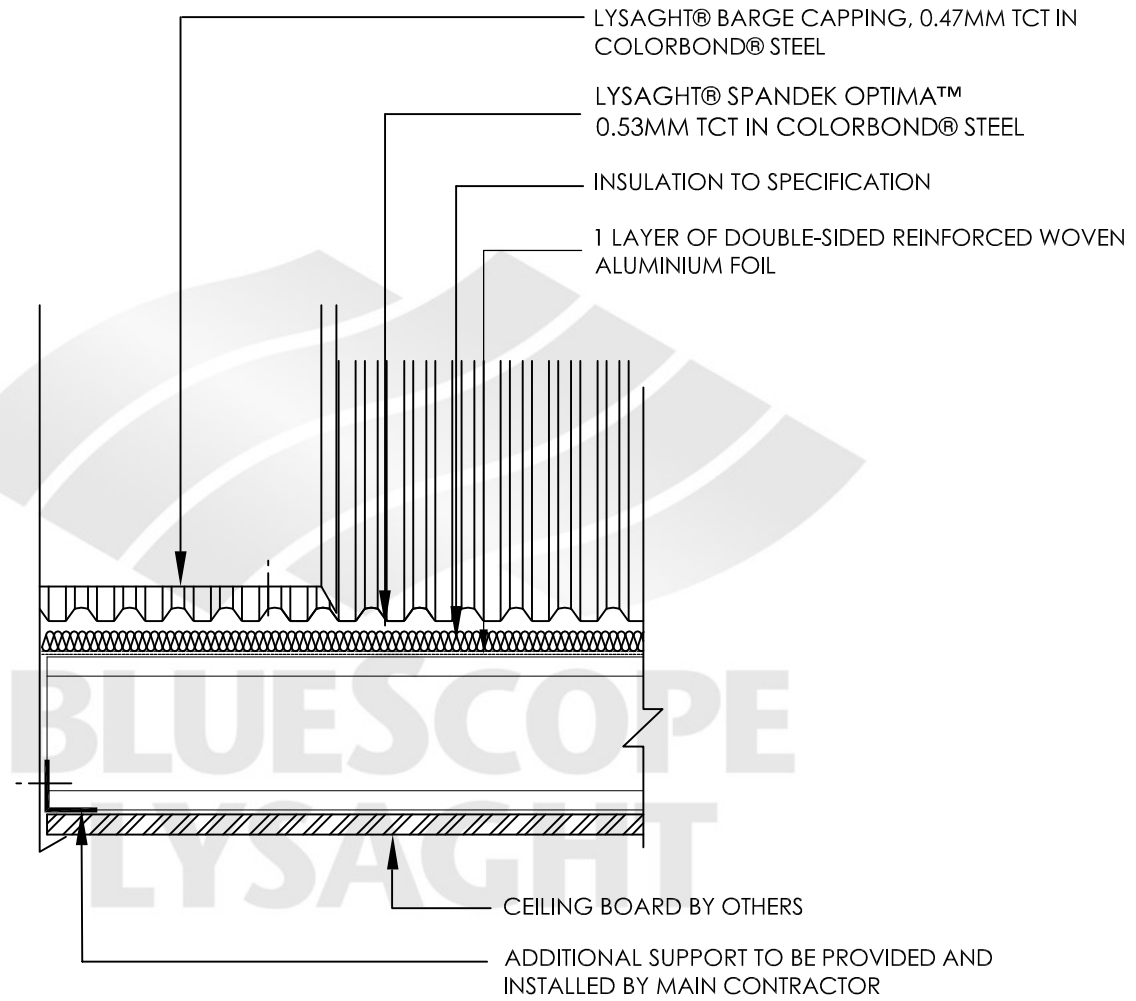
DRAWN BY:		CHECKED BY:		APPROVED BY:	
ZAID		JULAILI		SURAYA	
REV.	DATE	DESCRIPTION			
CAD FILENAME:		T:/SRT_OG/NON-JKR	PAPER SIZE:	A3	

TITLE:		DRAWING NO:		REV.
LYSAGHT® SPANDEK® OPTIMA™ TYPICAL APRON FLASHING (2/2) -		BSLM/0520/TYP/SP-DTL-03		0
SCALE:	N.T.S	DATE :	21.05.2020	

File C:\Users\T202020\Desktop\New Spandek Optima\New Spandek.dwg [Mon, 27 Jul 2020 - 2:07 pm] PLOTTED By: tzjzht

File C:\Users\T20202\Desktop\New Spandek Optima\New Spandek.dwg [Mon, 27 Jul 2020 - 2:07 pm] PLOTTED By: tzjzht

LYSAGHT® TYPICAL BARGE CAPPING



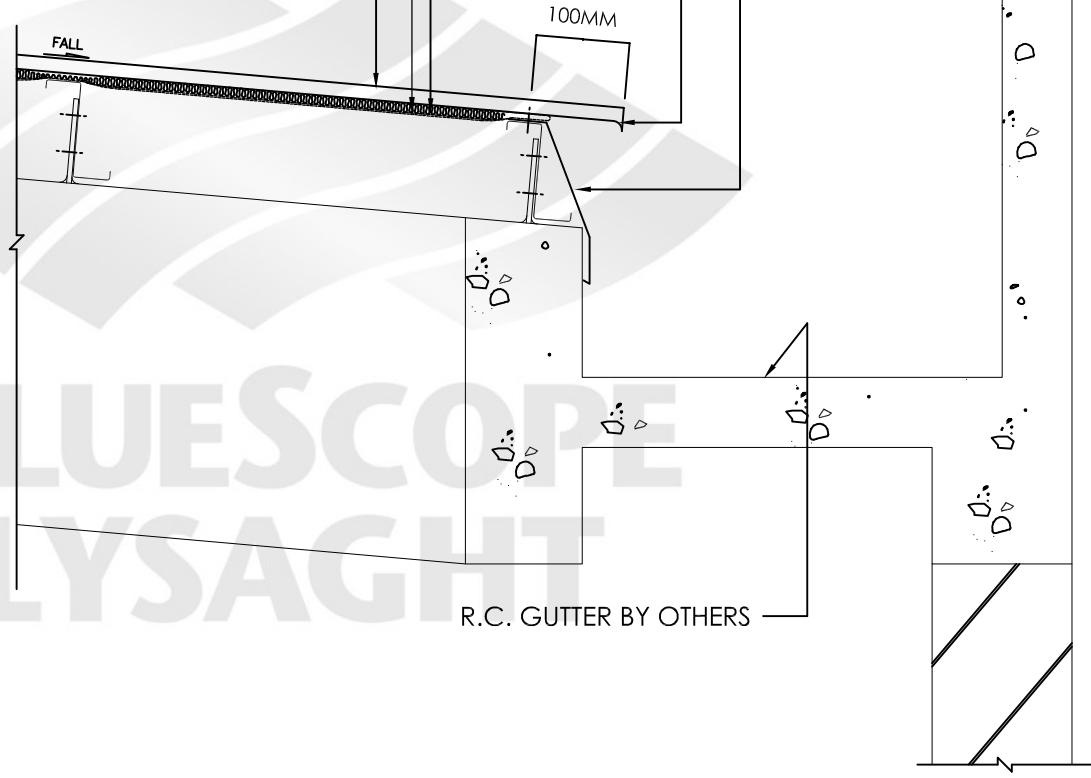
Copyright : This design and print is the property of NS BlueScope Lysaght Malaysia Sdn. Bhd. and must not be used reproduced or copied, wholly or in part without written permission from Company. All rights reserved.



NS BlueScope Lysaght Malaysia Sdn. Bhd.
 No.6 Persiaran Kemajuan Seksyen 16
 40200 Shah Alam.
 Selangor Darul Ehsan, Malaysia.
 Tel. : (603) 5520 6600
 Fax : (603) 5520 6601

PROJECT: -		DRAWN BY: ZAID	CHECKED BY: JULAILI	APPROVED BY: SURAYA	TITLE: LYSAGHT® SPANDEK® OPTIMA™ TYPICAL BARGE CAPPING	
REV.	DATE	DESCRIPTION				SCALE: N.T.S
						DRAWING NO: BSLM/0520/TYP/SP-DTL-04
CAD FILENAME: T:/SRT_OG/NON-JKR		PAPER SIZE: A3	DATE: 21.05.2020	REV.:	0	

LYSAGHT® GUTTER FLASHING, 0.47MM TCT IN
 COLORBOND® STEEL
 PANS TURN DOWN ON SITE
 INSULATION TO SPECIFICATION
 1 LAYER OF DOUBLE SIDED REINFORCED WOVEN
 ALUMINIUM FOIL
 LYSAGHT® SPANDEK OPTIMA™
 0.53MM TCT IN COLORBOND® STEEL



LYSAGHT® TYPICAL GUTTER FLASHING



NS BlueScope Lysaght
 Malaysia Sdn. Bhd.
 No.6 Persiaran Kemajuan Seksyen 16
 40200 Shah Alam,
 Selangor Darul Ehsan, Malaysia.
 Tel. : (603) 5520 6600
 Fax : (603) 5520 6601

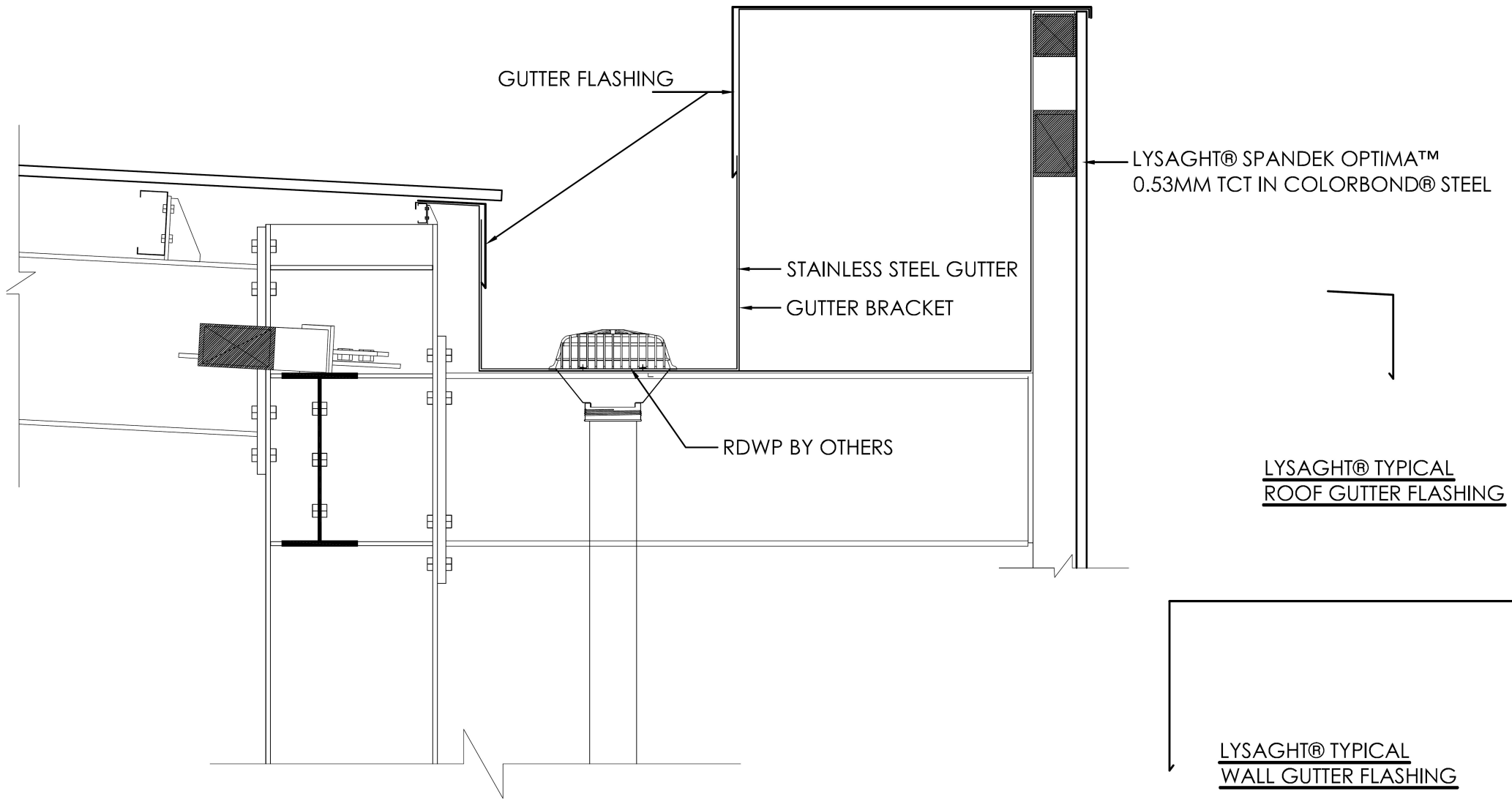
PROJECT:
 -

DRAWN BY:		CHECKED BY:		APPROVED BY:	
ZAID		JULAILI		SURAYA	
REV.	DATE	DESCRIPTION			
CAD FILENAME:		T:/SRT_OG/NON-JKR	PAPER SIZE:	A3	

TITLE:		DRAWING NO:		REV.
LYSAGHT® SPANDEK® OPTIMA™ TYPICAL GUTTER FLASHING		BSLM/0520/TYP/SP-DTL-05		0
SCALE:	N.T.S	DATE :	21.05.2020	

Copyright : This design and print is the property of NS BlueScope Lysaght Malaysia Sdn. Bhd. and must not be used reproduced or copied, wholly or in part without written permission from Company. All rights reserved.

File C:\Users\T20202\Desktop\New Spandek\Optima\New Spandek.dwg [Mon, 27 Jul 2020 - 2:07 pm] PLOTTED BY: tzjzht



Copyright : This design and print is the property of NS BlueScope Lysaght Malaysia Sdn. Bhd. and must not be used reproduced or copied, wholly or in part without written permission from Company. All rights reserved.



NS BlueScope Lysaght
 Malaysia Sdn. Bhd.
 No.6 Persiaran Kemajuan Seksyen 16
 40200 Shah Alam,
 Selangor Darul Ehsan, Malaysia.
 Tel. : (603) 5520 6600
 Fax : (603) 5520 6601

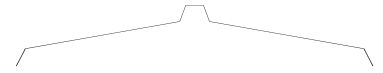
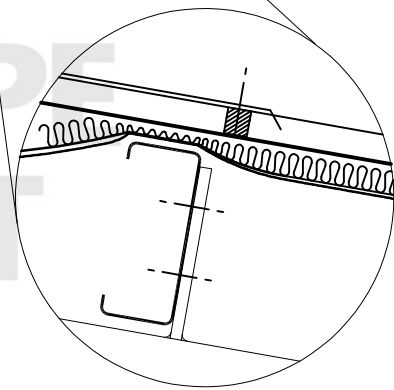
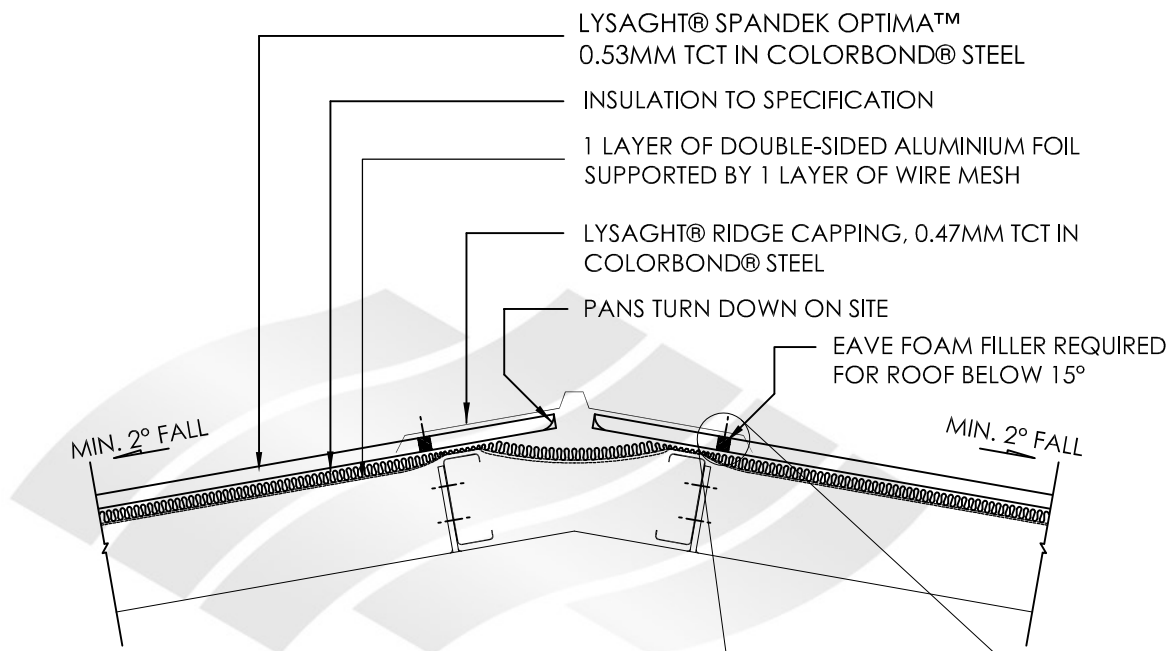
PROJECT:
-

DRAWN BY:		CHECKED BY:		APPROVED BY:	
Zaid		JULAILI		SURAYA	
REV.	DATE	DESCRIPTION			
CAD FILENAME:		T:/SRT_OG/NON-JKR	PAPER SIZE	A3	

TITLE:		DRAWING NO:		REV.
LYSAGHT® SPANDEK® OPTIMA™ TYPICAL GUTTER FLASHING		BSLM/0520/TYP/SP-DTL-05		0
SCALE:	N.T.S	DATE :	21.05.2020	

File:C:\Users\TJ012\Desktop\New Spandek Optima\New Spandek.dwg [Mon, 27 Jul 2020 - 2:07pm] PLOTTED BY: Izzah

File C:\Users\T2020\1\Desktop\New Spandek\Optima\New Spandek.dwg [Mon, 27 Jul 2020 - 2:07 pm] PLOTTED B1: t2:ahz



LYSAGHT® TYPICAL RIDGE CAPPING

BLUESCOPE
LYSAGHT

Copyright : This design and print is the property of NS BlueScope Lysaght Malaysia Sdn. Bhd. and must not be used reproduced or copied, wholly or in part without written permission from Company. All rights reserved.



NS BlueScope Lysaght Malaysia Sdn. Bhd.
 No.6 Persiaran Kemajuan Seksyen 16
 40200 Shah Alam.
 Selangor Darul Ehsan, Malaysia.
 Tel. : (603) 5520 6600
 Fax : (603) 5520 6601

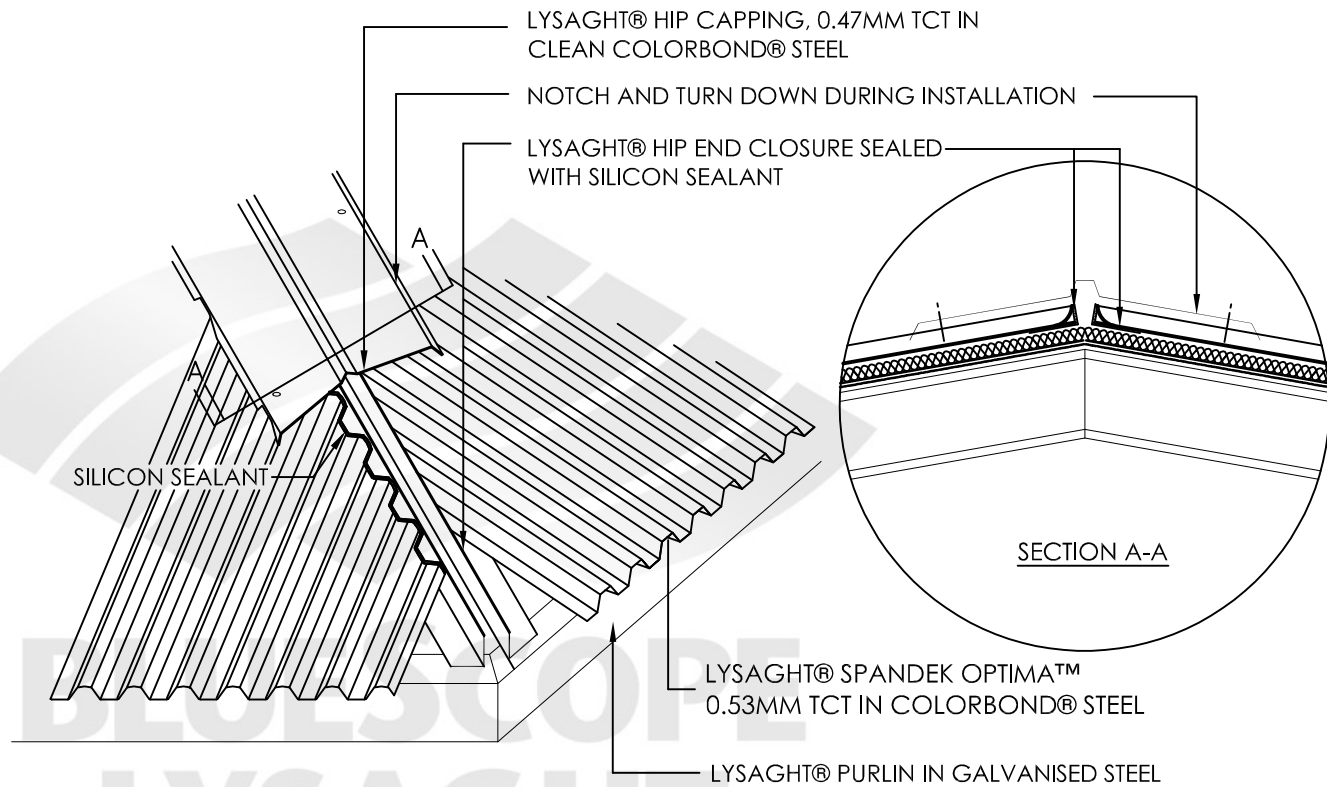
PROJECT: -

REV.	DATE	DESCRIPTION

DRAWN BY:		CHECKED BY:		APPROVED BY:	
ZAID		JULALI		SURAYA	
CAD FILENAME:		T:/SRT_OG/NON-JKR		PAPER SIZE:	A3

TITLE:		SCALE:		DRAWING NO:		REV.	
LYSAGHT® SPANDEK® OPTIMA™ TYPICAL RIDGE CAPPING		N.T.S		BSLM/0520/TYP/SP-DTL-06		0	
DATE :		21.05.2020					

File C:\Users\T2020\OneDrive\Desktop\New Spandek\Optima\New Spandek.dwg [Mon, 27 Jul 2020 - 2:08pm] PLOTTED Bf: t2jzhtz



LYSAGHT® TYPICAL HIP CAPPING

Copyright : This design and print is the property of NS BlueScope Lysaght Malaysia Sdn. Bhd. and must not be used reproduced or copied, wholly or in part without written permission from Company. All rights reserved.



**NS BlueScope Lysaght
Malaysia Sdn. Bhd.**
No.6 Persiaran Kemajuan Seksyen 16
40200 Shah Alam.
Selangor Darul Ehsan, Malaysia.
Tel. : (603) 5520 6600
Fax : (603) 5520 6601

PROJECT: -		DRAWN BY: ZAID		CHECKED BY: JULALI		APPROVED BY: SURAYA		TITLE: LYSAGHT® SPANDEK® OPTIMA™ TYPICAL HIP CAPPING	
REV.	DATE	DESCRIPTION							
CAD FILENAME: T./SRT_OG/NON-JKR		PAPER SIZE	A3		SCALE:	N.T.S		DRAWING NO:	REV.
				DATE :	21.05.2020		BSLM/0520/TYP/SP-DTL-07		0