

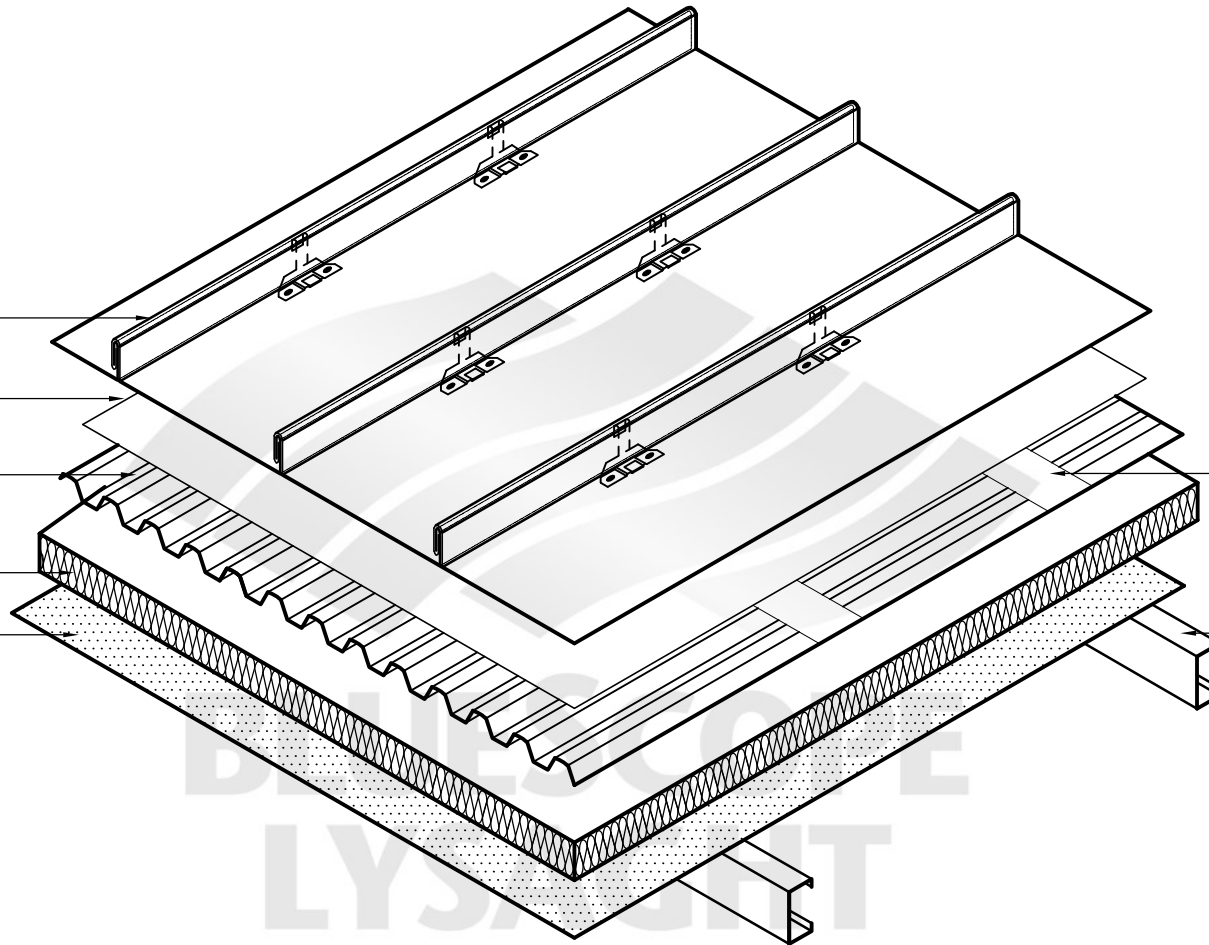
LYSAGHT® 360 SEAM® 0.55mm  
BMT thk. IN COLORBOND® STEEL  
AS ROOF CLADDING

1.5mm BITUMEN FELT

LYSAGHT® SPANDEK OPTIMA™  
0.42mm BMT thk. IN ZINCALUME®  
STEEL ROOF AS SUBSTRATE

INSULATION OF SPECIFICATION

1 LAYER OF DOUBLE  
SIDED ALUMINIUM FOIL



METAL STRIP in 100mm WIDTH  
0.55mm BMT @ 600mm c/c

PURLIN (BY OTHERS)

Copyright : This design and print is the property of NS BlueScope Lysaght Malaysia Sdn. Bhd. and must not be used reproduced or copied, wholly or in part without written permission from Company. All rights reserved.



NS BlueScope Lysaght  
Malaysia Sdn. Bhd.  
No.6 Persiaran Kemajuan Seksyen 16  
40200 Shah Alam.  
Selangor Darul Ehsan, Malaysia.  
Tel. : (603) 5520 6600  
Fax : (603) 5520 6601

PROJECT:  
-

DRAWN BY:		CHECKED BY:		APPROVED BY:	
ZAID		JULAILI		SURAYA	
REV.	DATE	DESCRIPTION			
CAD FILENAME:		T:/SRT_OG/NON-JKR	PAPER SIZE	A3	

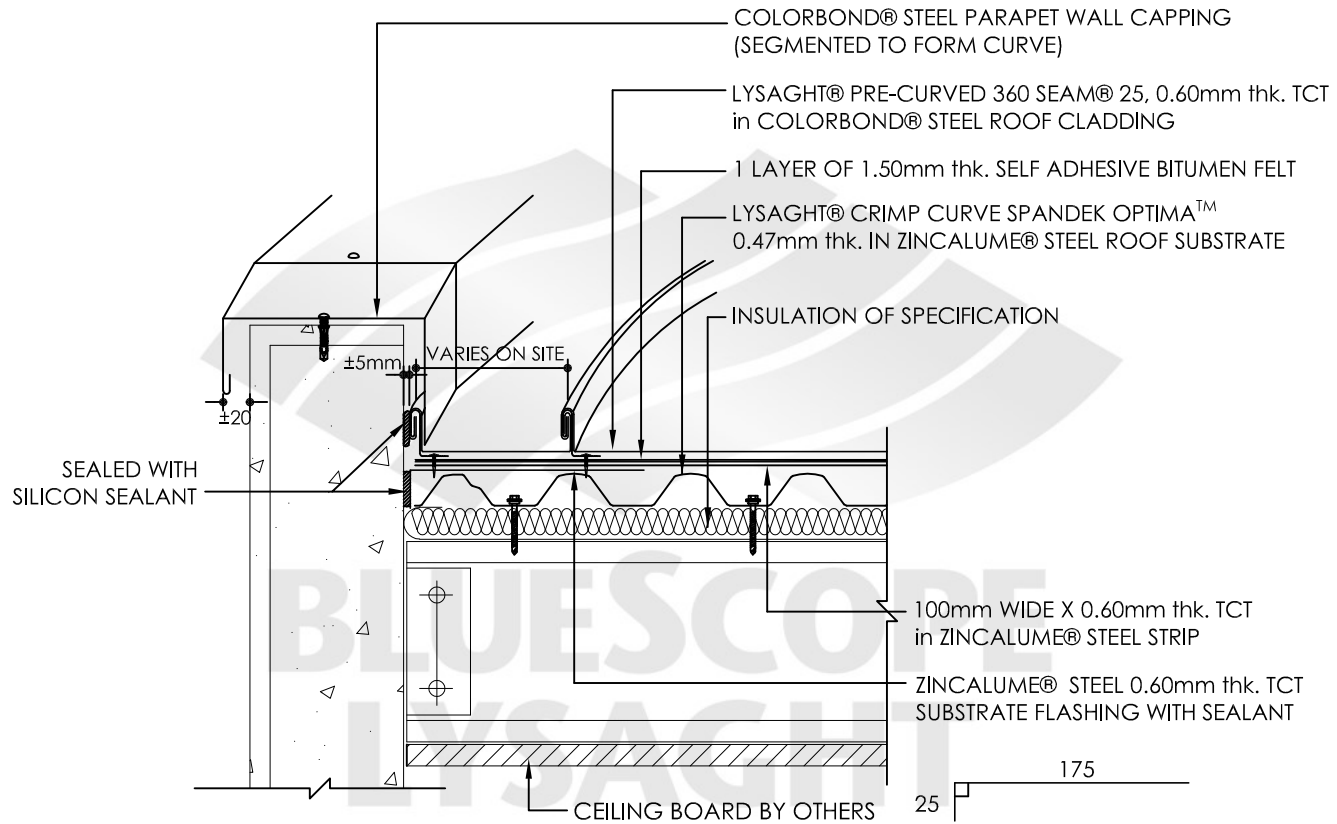
TITLE:

**LYSAGHT® 360 SEAM®  
STANDARD ROOF SYSTEM**

SCALE: N.T.S  
DATE : 21.05.2020

DRAWING NO:  
**BSLM/0520/TYP/TR-DTL-01**

REV.  
**0**



Copyright : This design and print is the property of NS BlueScope Lysaght Malaysia Sdn. Bhd. and must not be used reproduced or copied, wholly or in part without written permission from Company. All rights reserved.

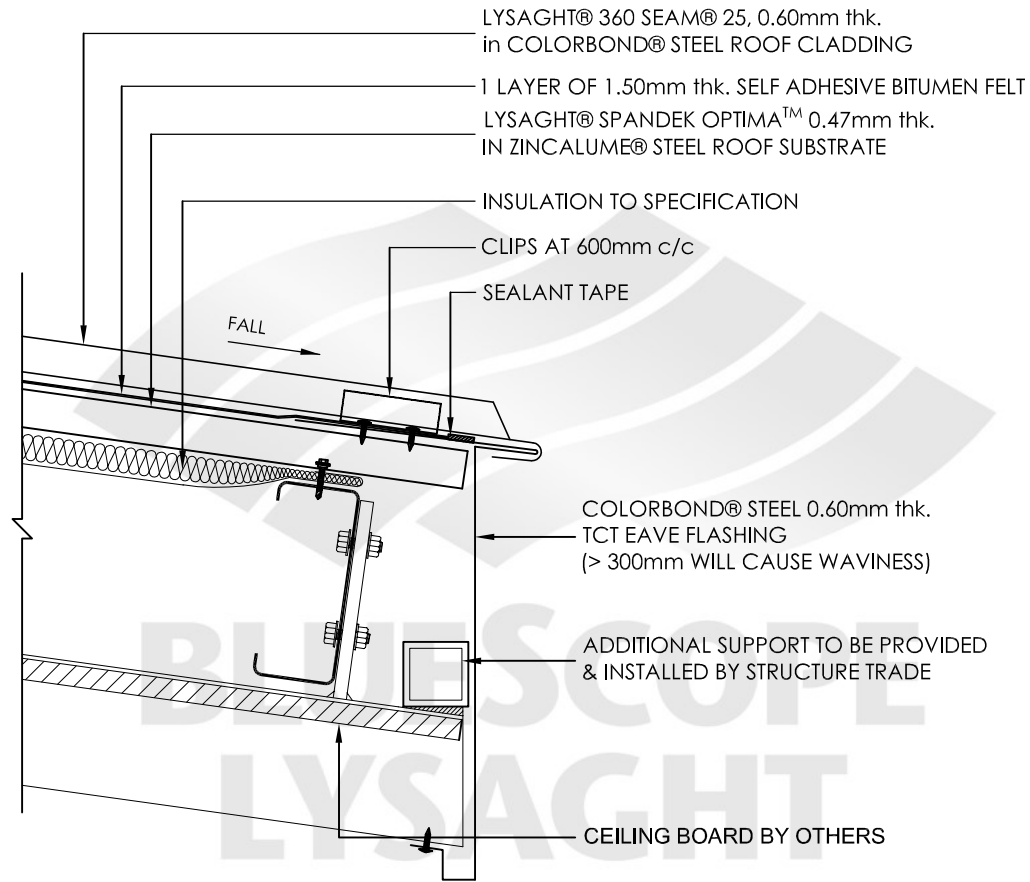


**NS BlueScope Lysaght**  
**Malaysia Sdn. Bhd.**  
 No.6 Persiaran Kemajuan Seksyen 16  
 40200 Shah Alam.  
 Selangor Darul Ehsan, Malaysia.  
 Tel. : (603) 5520 6600  
 Fax : (603) 5520 6601

PROJECT:		DRAWN BY:		CHECKED BY:		APPROVED BY:	
-		ZAID		JULAILI		SURAYA	
REV.	DATE	DESCRIPTION					
CAD FILENAME:		T:/SRT_OG/NON-JKR		PAPER SIZE:	A3		

TITLE:		DRAWING NO:		REV.
TYPICAL PARAPET WALL FLASHING <b>LYSAGHT® 360 SEAM®</b>		BSLM/0520/TYP/TR-DTL-01		0
		SCALE:	N.T.S	
DATE :		21.05.2020		

FileC:\Users\T202012\Desktop\New Lysaght 360 Seam\360 Seam.dwg [Wed 01 Jul 2020 - 2:46pm] PLOTTED BY: tzjohz



LYSAGHT® 360 SEAM® 25, 0.60mm thk.  
 in COLORBOND® STEEL ROOF CLADDING  
 1 LAYER OF 1.50mm thk. SELF ADHESIVE BITUMEN FELT  
 LYSAGHT® SPANDEK OPTIMA™ 0.47mm thk.  
 IN ZINCALUME® STEEL ROOF SUBSTRATE  
 INSULATION TO SPECIFICATION  
 CLIPS AT 600mm c/c  
 SEALANT TAPE  
 COLORBOND® STEEL 0.60mm thk.  
 TCT EAVE FLASHING  
 (> 300mm WILL CAUSE WAVINESS)  
 ADDITIONAL SUPPORT TO BE PROVIDED  
 & INSTALLED BY STRUCTURE TRADE  
 CEILING BOARD BY OTHERS

Copyright : This design and print is the property of NS BlueScope Lysaght Malaysia Sdn. Bhd. and must not be used reproduced or copied, wholly or in part without written permission from Company. All rights reserved.

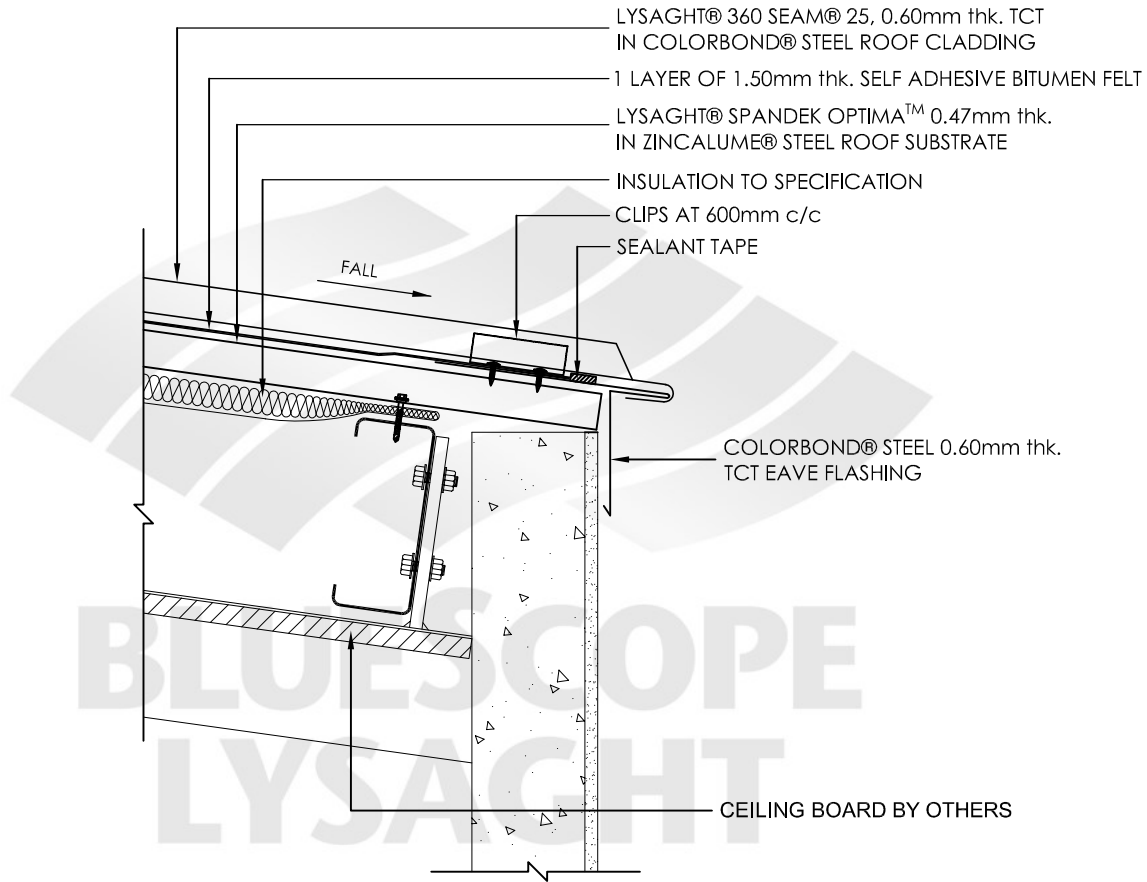
NS BlueScope Lysaght  
 Malaysia Sdn. Bhd.  
 No.6 Persiaran Kemajuan Seksyen 16  
 40200 Shah Alam.  
 Selangor Darul Ehsan, Malaysia.  
 Tel. : (603) 5520 6600  
 Fax : (603) 5520 6601

PROJECT: -

DRAWN BY:		CHECKED BY:		APPROVED BY:	
ZAID		JULAILI		SURAYA	
REV.	DATE	DESCRIPTION			
CAD FILENAME:		T:/SRT_OG/NON-JKR	PAPER SIZE	A3	

TITLE:		DRAWING NO:		REV.
TYPICAL EAVE FLASHING DETAIL LYSAGHT® 360 SEAM®		BSLM/0520/TYP/TR-DTL-02		0
SCALE:	N.T.S	DATE :	21.05.2020	

FileC:\Users\T202012\Desktop\New Lysaght 360 Seam\360 Seam.dwg [Wed 01 Jul 2020 - 2:46pm] PLOTTED By: tzjohz



LYSAGHT® 360 SEAM® 25, 0.60mm thk. TCT  
IN COLORBOND® STEEL ROOF CLADDING

1 LAYER OF 1.50mm thk. SELF ADHESIVE BITUMEN FELT

LYSAGHT® SPANDEK OPTIMA™ 0.47mm thk.  
IN ZINCALUME® STEEL ROOF SUBSTRATE

INSULATION TO SPECIFICATION

CLIPS AT 600mm c/c

SEALANT TAPE

FALL →

COLORBOND® STEEL 0.60mm thk.  
TCT EAVE FLASHING

CEILING BOARD BY OTHERS

Copyright : This design and print is the property of NS BlueScope Lysaght Malaysia Sdn. Bhd. and must not be used reproduced or copied, wholly or in part without written permission from Company. All rights reserved.



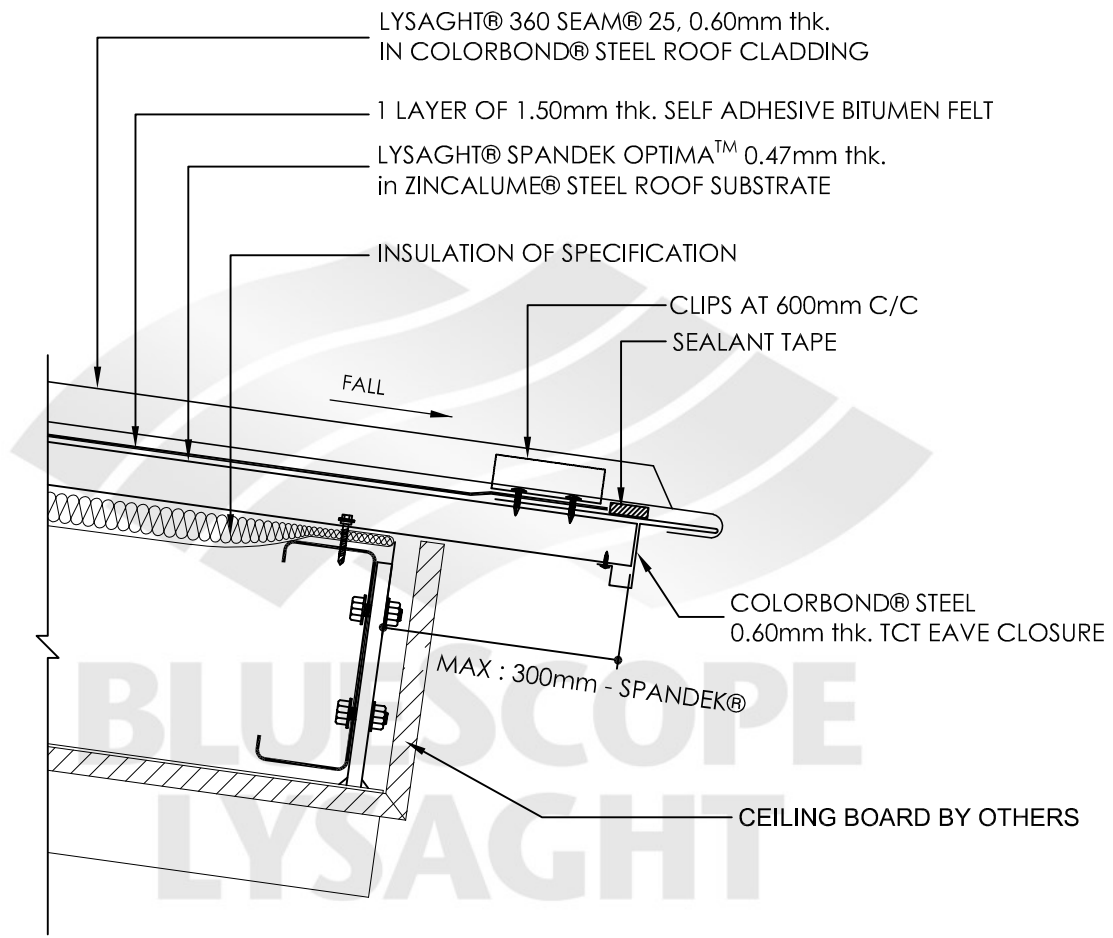
**NS BlueScope Lysaght  
Malaysia Sdn. Bhd.**  
No.6 Persiaran Kemajuan Seksyen 16  
40200 Shah Alam.  
Selangor Darul Ehsan, Malaysia.  
Tel. : (603) 5520 6600  
Fax : (603) 5520 6601

PROJECT:  
-

DRAWN BY:		CHECKED BY		APPROVED BY	
ZAID		JULALI		SURAYA	
REV.	DATE	DESCRIPTION			
CAD FILENAME:		T:/SRT_OG/NON-JKR	PAPER SIZE	A3	

TITLE:		DRAWING NO:		REV.
TYPICAL EAVE FLASHING DETAIL 2 LYSAGHT® 360 SEAM®		BSLM/0520/TYP/TR-DTL-03		0
SCALE:	N.T.S	DATE :	21.05.2020	

FileC:\Users\T2020\OneDrive\Desktop\New Lysaght 360 Seam\360 Seam.dwg [Wed 01 Jul 2020 - 2:46pm] PLOTTED BY: tzjohz



Copyright : This design and print is the property of NS BlueScope Lysaght Malaysia Sdn. Bhd. and must not be used reproduced or copied, wholly or in part without written permission from Company. All rights reserved.



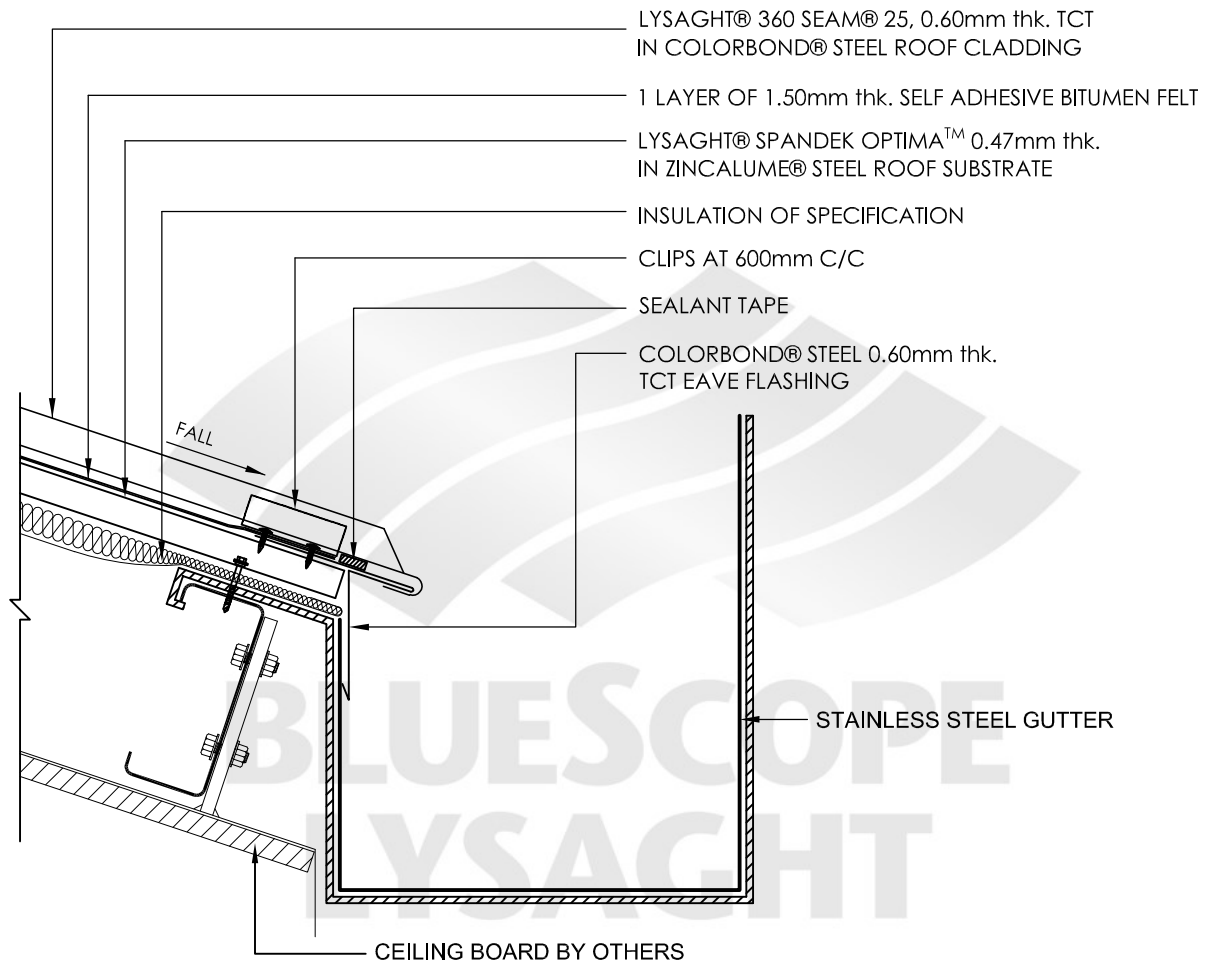
NS BlueScope Lysaght  
Malaysia Sdn. Bhd.  
No.6 Persiaran Kemajuan Seksyen 16  
40200 Shah Alam.  
Selangor Darul Ehsan, Malaysia.  
Tel. : (603) 5520 6600  
Fax : (603) 5520 6601

PROJECT:  
-

DRAWN BY:		CHECKED BY:		APPROVED BY:	
ZAID		JULAILI		SURAYA	
REV.	DATE	DESCRIPTION			
CAD FILENAME:		T:/SRT_OG/NON-JKR	PAPER SIZE	A3	

TITLE:		DRAWING NO:		REV.
TYPICAL EAVE FLASHING DETAIL 3 LYSAGHT® 360 SEAM®		BSLM/0520/TYP/TR-DTL-04		0
SCALE:	N.T.S	DATE :	21.05.2020	

FileC:\Users\T202012\Desktop\New Lysaght 360 Seam.dwg [Wed 01 Jul 2020 - 2:47pm] PLOTTED By: tzjohz



Copyright : This design and print is the property of NS BlueScope Lysaght Malaysia Sdn. Bhd. and must not be used reproduced or copied, wholly or in part without written permission from Company. All rights reserved.



NS BlueScope Lysaght  
Malaysia Sdn. Bhd.  
No.6 Persiaran Kemajuan Seksyen 16  
40200 Shah Alam.  
Selangor Darul Ehsan, Malaysia.  
Tel. : (603) 5520 6600  
Fax : (603) 5520 6601

PROJECT:  
-

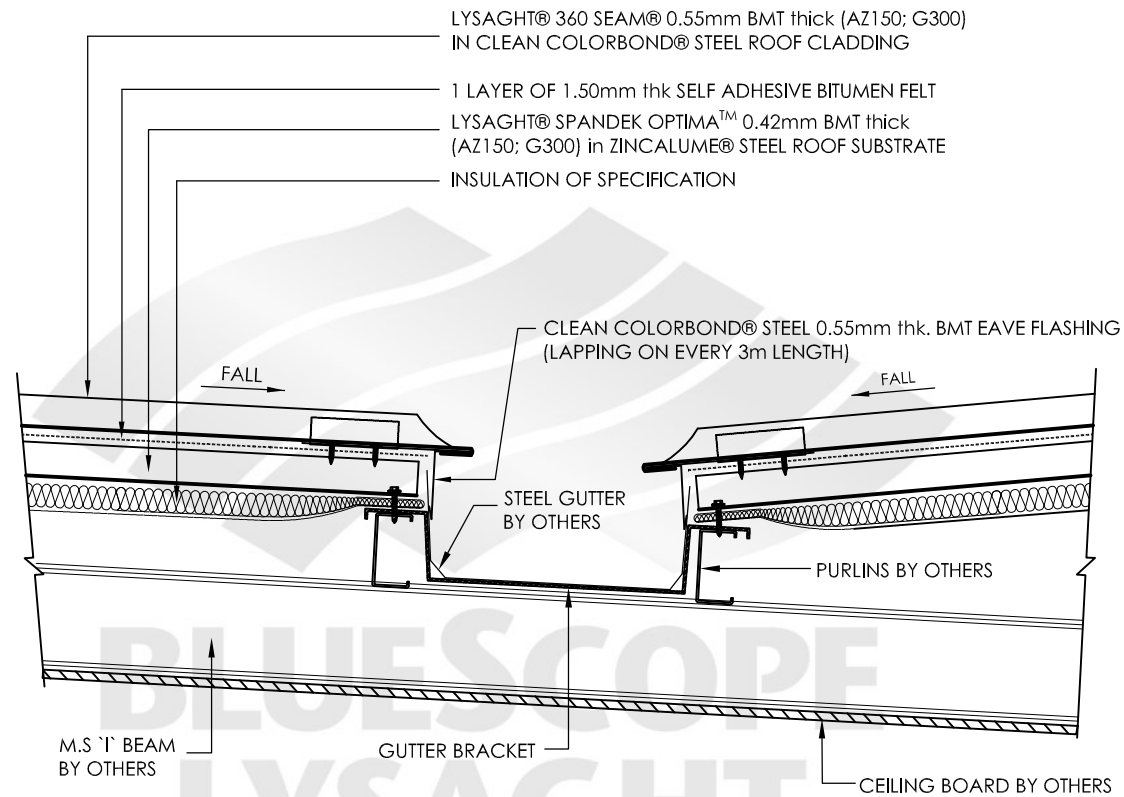
DRAWN BY:		CHECKED BY		APPROVED BY	
ZAID		JULAILI		SURAYA	
REV.	DATE	DESCRIPTION			
CAD FILENAME:		T:/SRT_OG/NON-JKR	PAPER SIZE	A3	

TITLE:  
**TYPICAL EAVE FLASHING DETAIL 4**  
**LYSAGHT® 360 SEAM®**

SCALE: N.T.S  
DATE : 21.05.2020

DRAWING NO:  
**BSLM/0520/TYP/TR-DTL-05**

REV.  
**0**



Copyright : This design and print is the property of NS BlueScope Lysaght Malaysia Sdn. Bhd. and must not be used reproduced or copied, wholly or in part without written permission from Company. All rights reserved.



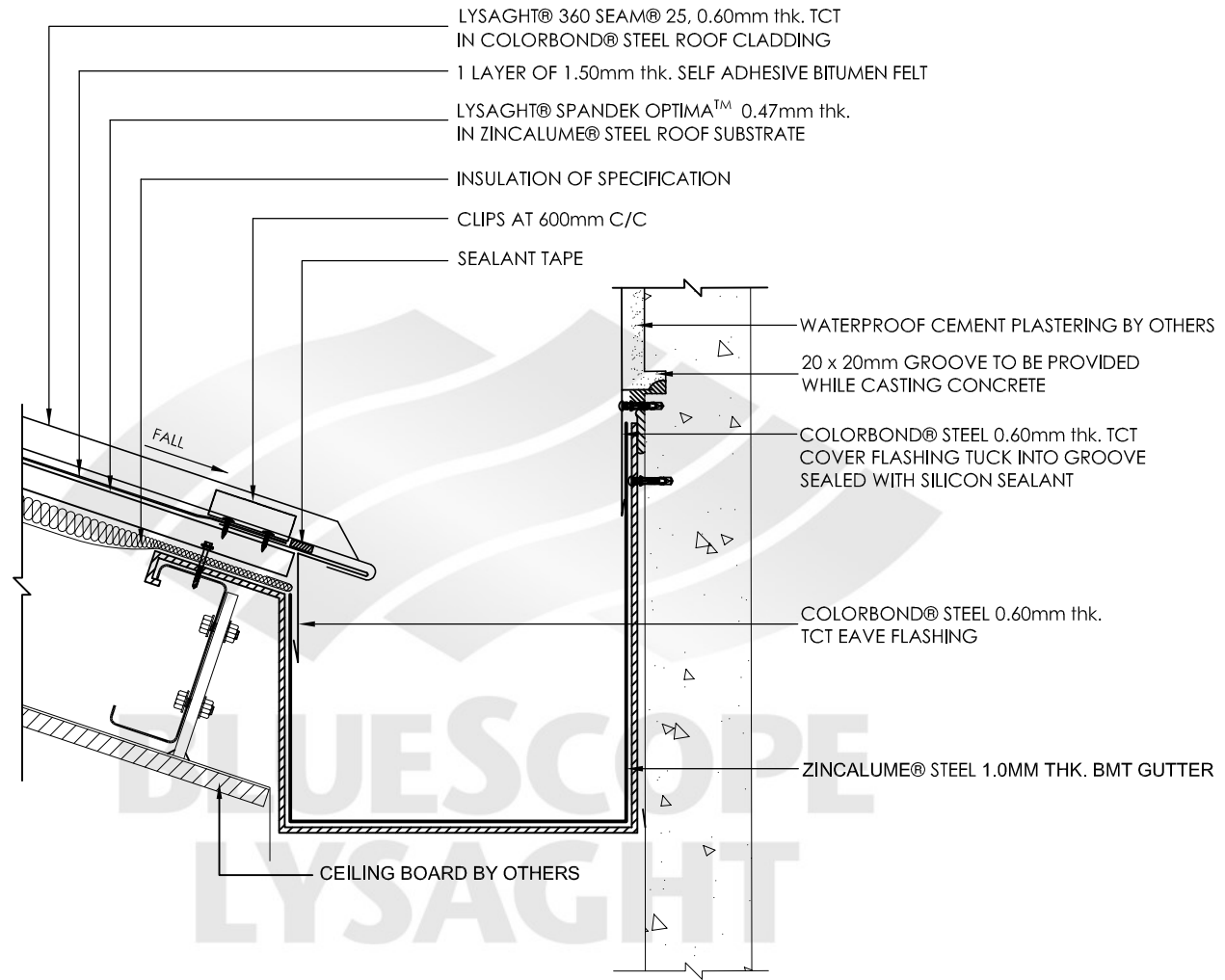
**NS BlueScope Lysaght**  
**Malaysia Sdn. Bhd.**  
 No.6 Persiaran Kemajuan Seksyen 16  
 40200 Shah Alam.  
 Selangor Darul Ehsan, Malaysia.  
 Tel. : (603) 5520 6600  
 Fax : (603) 5520 6601

PROJECT:  
-

DRAWN BY:		CHECKED BY:		APPROVED BY:	
ZAID		JULAILI		SURAYA	
REV.	DATE	DESCRIPTION			
CAD FILENAME:		T:/SRT_OG/NON-JKR	PAPER SIZE	A3	

TITLE:		DRAWING NO:		REV.
TYPICAL CONCEALED GUTTER DETAIL LYSAGHT® 360 SEAM®		BSLM/0520/TYP/TR-DTL-06		0
SCALE:	N.T.S	DATE :	21.05.2020	

FileC:\Users\T20202\Desktop\New Lysaght 360 Seam\360 Seam.dwg [Wed 01 Jul 2020 - 2:57pm] PLOTTED BY: tzjohz



- LYSAGHT® 360 SEAM® 25, 0.60mm thk. TCT  
IN COLORBOND® STEEL ROOF CLADDING
- 1 LAYER OF 1.50mm thk. SELF ADHESIVE BITUMEN FELT
- LYSAGHT® SPANDEK OPTIMA™ 0.47mm thk.  
IN ZINCALUME® STEEL ROOF SUBSTRATE
- INSULATION OF SPECIFICATION
- CLIPS AT 600mm C/C
- SEALANT TAPE
- WATERPROOF CEMENT PLASTERING BY OTHERS
- 20 x 20mm GROOVE TO BE PROVIDED  
WHILE CASTING CONCRETE
- COLORBOND® STEEL 0.60mm thk. TCT  
COVER FLASHING TUCK INTO GROOVE  
SEALED WITH SILICON SEALANT
- COLORBOND® STEEL 0.60mm thk.  
TCT EAVE FLASHING
- ZINCALUME® STEEL 1.0MM THK. BMT GUTTER
- CEILING BOARD BY OTHERS

Copyright : This design and print is the property of NS BlueScope Lysaght Malaysia Sdn. Bhd. and must not be used reproduced or copied, wholly or in part without written permission from Company. All rights reserved.

NS BlueScope Lysaght  
Malaysia Sdn. Bhd.  
No.6 Persiaran Kemajuan Seksyen 16  
40200 Shah Alam.  
Selangor Darul Ehsan, Malaysia.  
Tel. : (603) 5520 6600  
Fax : (603) 5520 6601

PROJECT:  
-

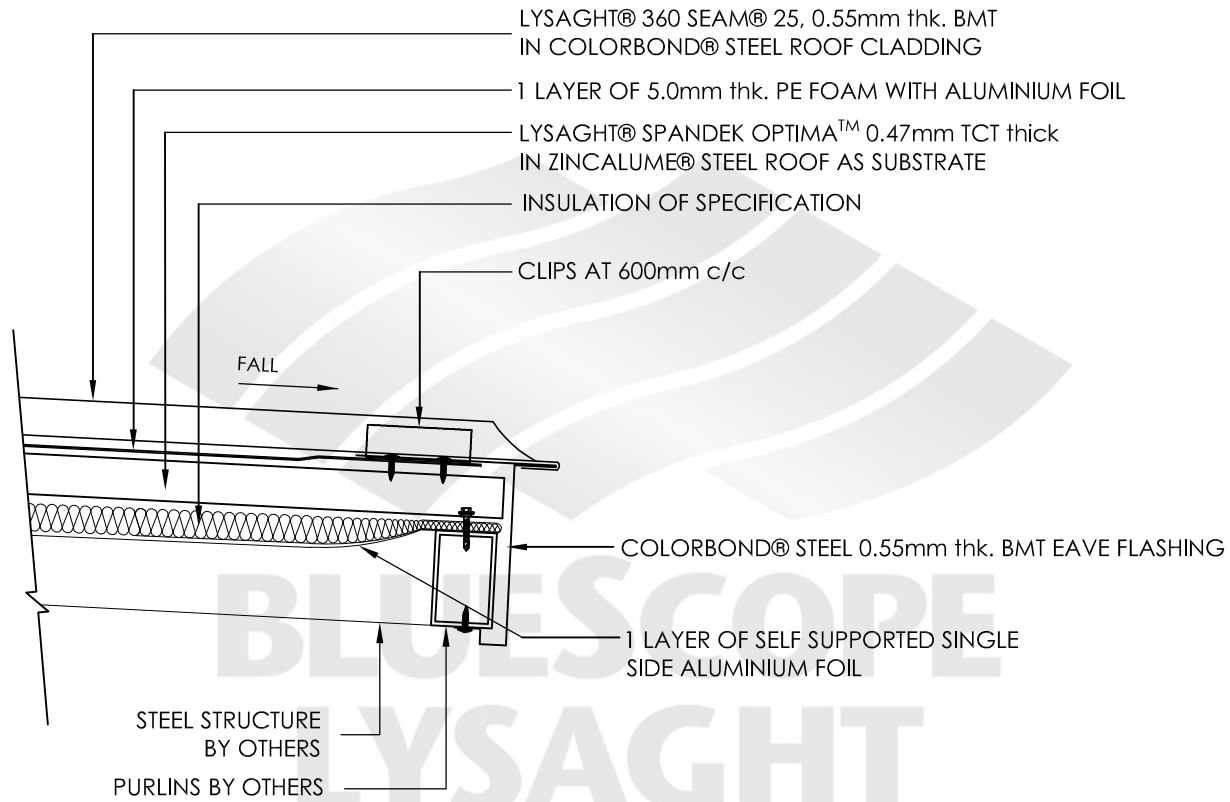
REV.	DATE	DESCRIPTION

DRAWN BY:		CHECKED BY:		APPROVED BY:	
Zaid		JULAILI		SURAYA	
CAD FILENAME:	T:/SRT_OG/NON-JKR	PAPER SIZE:	A3	DATE :	21.05.2020

TITLE:		DRAWING NO:		REV.
TYPICAL EAVE FLASHING DETAIL 5 LYSAGHT® 360 SEAM®		BSLM/0520/TYP/TR-DTL-07		0
SCALE:	N.T.S	DATE :	21.05.2020	

FileC:\Users\T20142\Desktop\New Lysaght 360 Seam.dwg [Wed 01 Jul 2020 - 7:58pm] PLOTTED BY: tzjohz





Copyright : This design and print is the property of NS BlueScope Lysaght Malaysia Sdn. Bhd. and must not be used reproduced or copied, wholly or in part without written permission from Company. All rights reserved.



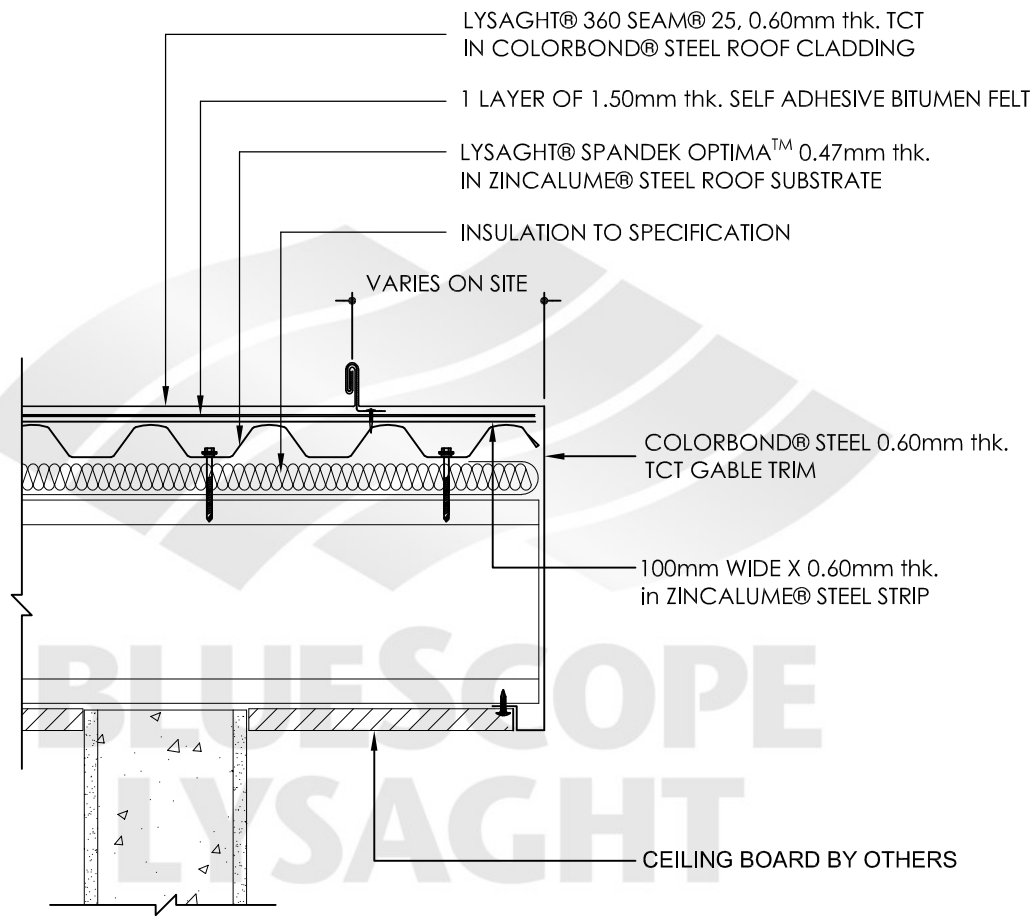
**NS BlueScope Lysaght  
Malaysia Sdn. Bhd.**  
No.6 Persiaran Kemajuan Seksyen 16  
40200 Shah Alam.  
Selangor Darul Ehsan, Malaysia.  
Tel. : (603) 5520 6600  
Fax : (603) 5520 6601

PROJECT:  
-

DRAWN BY:		CHECKED BY		APPROVED BY	
ZAID		JULAILI		SURAYA	
REV.	DATE	DESCRIPTION			
CAD FILENAME:		T:/SRT_OG/NON-JKR	PAPER SIZE	A3	

TITLE:  
**TYPICAL EAVE FLASHING DETAIL 6  
LYSAGHT® 360 SEAM®**

SCALE:	N.T.S	DRAWING NO:	<b>BSLM/0520/TYP/TR-DTL-08</b>	REV.	<b>0</b>
DATE :	21.05.2020				



Copyright : This design and print is the property of NS BlueScope Lysaght Malaysia Sdn. Bhd. and must not be used reproduced or copied, wholly or in part without written permission from Company. All rights reserved.


**NS BlueScope Lysaght**  
**Malaysia Sdn. Bhd.**  
 No.6 Persiaran Kemajuan Seksyen 16  
 40200 Shah Alam.  
 Selangor Darul Ehsan, Malaysia.  
 Tel. : (603) 5520 6600  
 Fax : (603) 5520 6601

PROJECT:  
-

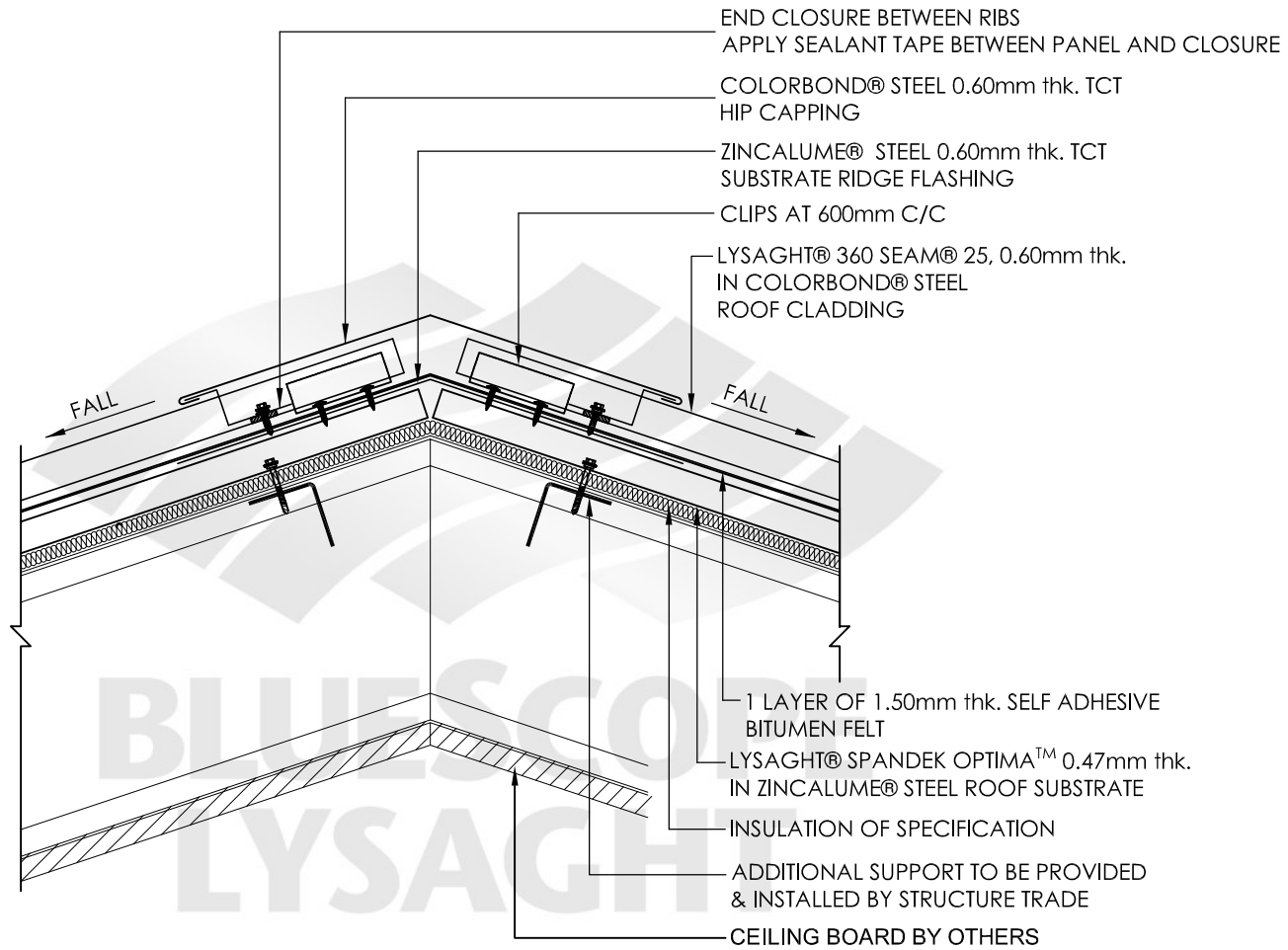
DRAWN BY:		CHECKED BY:		APPROVED BY:	
ZAID		JULAILI		SURAYA	
REV.	DATE	DESCRIPTION			
CAD FILENAME:		T:/SRT_OG/NON-JKR	PAPER SIZE	A3	

TITLE:  
**TYPICAL GABLE FLASHING**  
**LYSAGHT® 360 SEAM®**

SCALE: N.T.S  
 DATE : 21.05.2020

DRAWING NO:  
**BSLM/0520/TYP/TR-DTL-09**

REV.  
**0**



**NS BlueScope Lysaght Malaysia Sdn. Bhd.**  
 No.6 Persiaran Kemajuan Seksyen 16  
 40200 Shah Alam.  
 Selangor Darul Ehsan, Malaysia.  
 Tel. : (603) 5520 6600  
 Fax : (603) 5520 6601

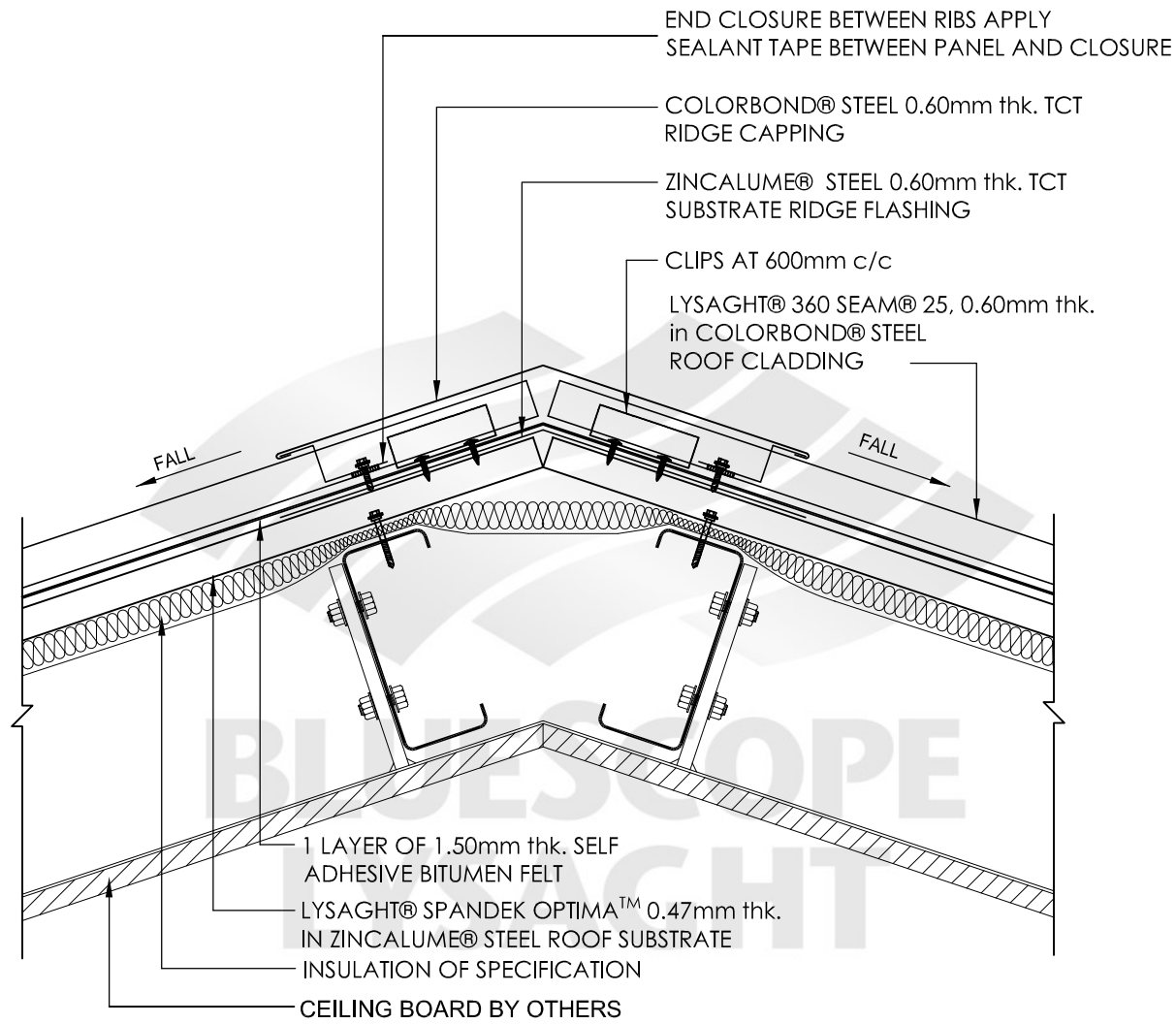
PROJECT:  
-

DRAWN BY:		CHECKED BY:		APPROVED BY:	
ZAID		JULAILI		SURAYA	
REV.	DATE	DESCRIPTION			
CAD FILENAME:		T:/SRT_OG/NON-JKR	PAPER SIZE:	A3	

TITLE:		DRAWING NO:		REV.
TYPICAL HIP CAPPING DETAIL LYSAGHT® 360 SEAM®		BSLM/0520/TYP/TR-DTL-10		0
SCALE:	N.T.S	DATE :	21.05.2020	

Copyright : This design and print is the property of NS BlueScope Lysaght Malaysia Sdn. Bhd. and must not be used reproduced or copied, wholly or in part without written permission from Company. All rights reserved.

FileC:\Users\T20212\Desktop\New Lysaght 360 Seam.dwg [Wed 01 Jul 2020 - 7:56pm] PLOTTED By: tzjohz



NS BlueScope Lysaght  
 Malaysia Sdn. Bhd.  
 No.6 Persiaran Kemajuan Seksyen 16  
 40200 Shah Alam.  
 Selangor Darul Ehsan, Malaysia.  
 Tel. : (603) 5520 6600  
 Fax : (603) 5520 6601

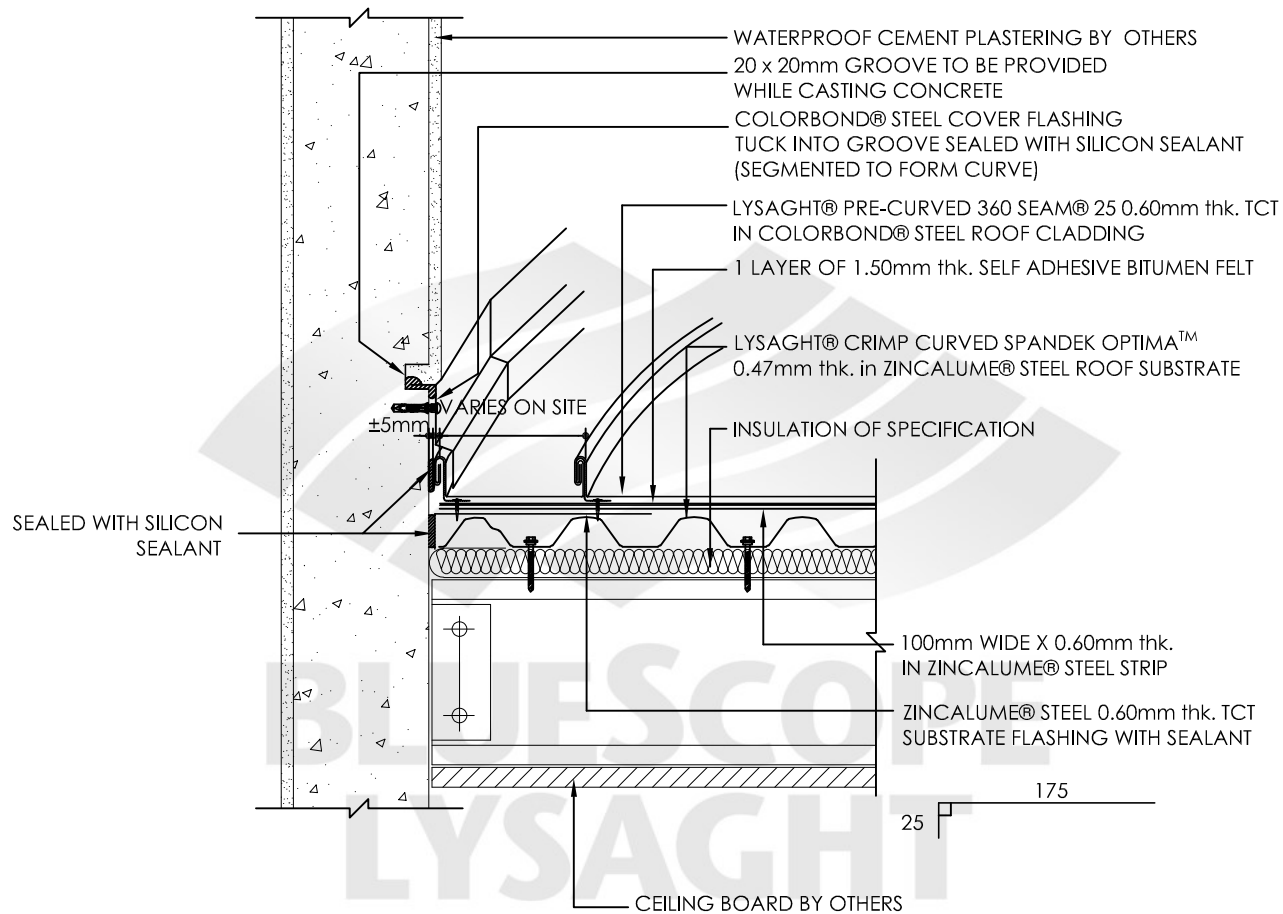
PROJECT:  
 -

DRAWN BY:		CHECKED BY:		APPROVED BY:	
ZAID		JULALI		SURAYA	
REV.	DATE	DESCRIPTION			
CAD FILENAME:		T:/SRT_OG/NON-JKR	PAPER SIZE:	A3	

TITLE:		DRAWING NO:		REV.
TYPICAL RIDGE CAPPING DETAIL LYSAGHT® 360 SEAM®		BSLM/0520/TYP/TR-DTL-11		0
SCALE:	N.T.S	DATE :	21.05.2020	

Copyright : This design and print is the property of NS BlueScope Lysaght Malaysia Sdn. Bhd. and must not be used reproduced or copied, wholly or in part without written permission from Company. All rights reserved.

File C:\Users\T202012\Desktop\New Lysaght 360 Seam.dwg [Wed 01 Jul 2020 - 7:59pm] PLOTTED BY: tzjohz



Copyright : This design and print is the property of NS BlueScope Lysaght Malaysia Sdn. Bhd. and must not be used reproduced or copied, wholly or in part without written permission from Company. All rights reserved.



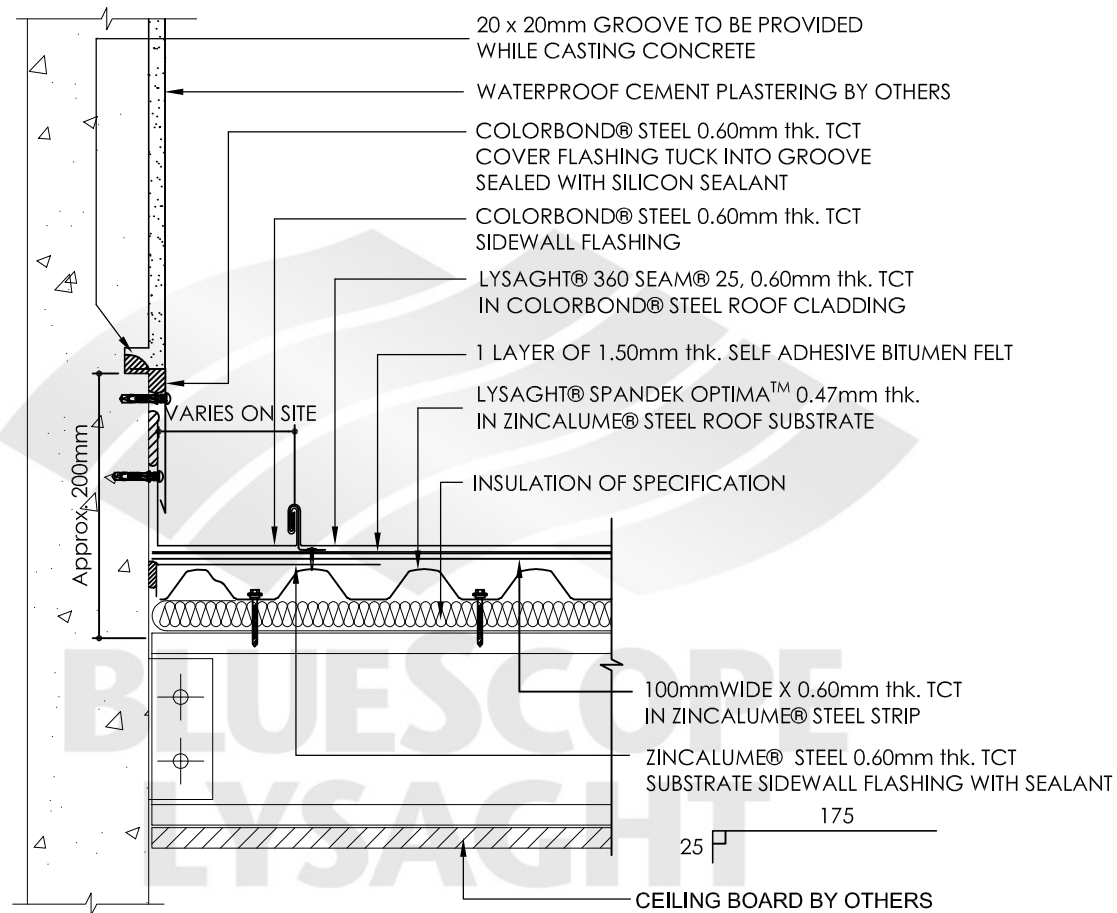
**NS BlueScope Lysaght**  
Malaysia Sdn. Bhd.  
No.6 Persiaran Kemajuan Seksyen 16  
40200 Shah Alam.  
Selangor Darul Ehsan, Malaysia.  
Tel. : (603) 5520 6600  
Fax : (603) 5520 6601

PROJECT:  
-

DRAWN BY:		CHECKED BY:		APPROVED BY:	
ZAID		JULALI		SURAYA	
REV.	DATE	DESCRIPTION			
CAD FILENAME:		T:/SRT_OG/NON-JKR		PAPER SIZE	A3

TITLE:		<b>TYPICAL SIDEWALL CURVED COVER FLASHING</b>			
		<b>LYSAGHT® 360 SEAM®</b>			
SCALE:	N.T.S	DRAWING NO:		REV.	
DATE :	21.05.2020	<b>BSLM/0520/TYP/TR-DTL-12</b>		<b>0</b>	

FileC:\Users\T20242\Desktop\New Lysaght 360 Seam.dwg [Wed 01 Jul 2020 - 7:59pm] PLOTTED BY: tzjzht



Copyright : This design and print is the property of NS BlueScope Lysaght Malaysia Sdn. Bhd. and must not be used reproduced or copied, wholly or in part without written permission from Company. All rights reserved.



NS BlueScope Lysaght  
Malaysia Sdn. Bhd.  
No.6 Persiaran Kemajuan Seksyen 16  
40200 Shah Alam.  
Selangor Darul Ehsan, Malaysia.  
Tel. : (603) 5520 6600  
Fax : (603) 5520 6601

PROJECT:  
-

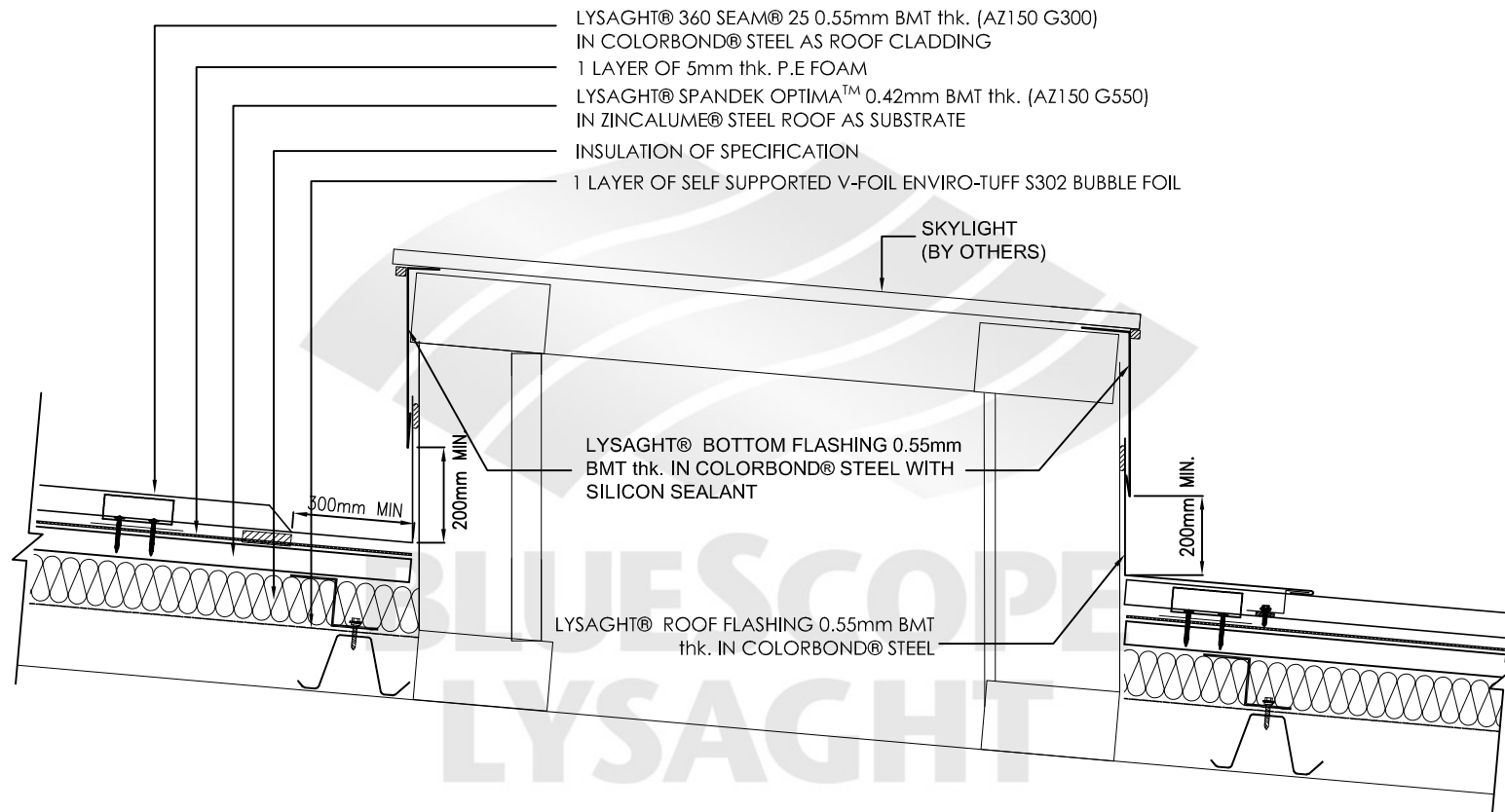
DRAWN BY:		CHECKED BY:		APPROVED BY:	
ZAID		JULAILI		SURAYA	
REV.	DATE	DESCRIPTION			
CAD FILENAME:		T:/SRT_OG/NON-JKR	PAPER SIZE:	A3	

TITLE:  
**TYPICAL SIDEWALL FLASHING DETAIL  
LYSAGHT® 360 SEAM®**

SCALE: N.T.S  
DATE : 21.05.2020

DRAWING NO:  
**BSLM/0520/TYP/TR-DTL-13**

REV.  
**0**



- LYSAGHT® 360 SEAM® 25 0.55mm BMT thk. (AZ150 G300)  
IN COLORBOND® STEEL AS ROOF CLADDING
- 1 LAYER OF 5mm thk. P.E FOAM
- LYSAGHT® SPANDEK OPTIMA™ 0.42mm BMT thk. (AZ150 G550)  
IN ZINCALUME® STEEL ROOF AS SUBSTRATE
- INSULATION OF SPECIFICATION
- 1 LAYER OF SELF SUPPORTED V-FOIL ENVIRO-TUFF S302 BUBBLE FOIL

SKYLIGHT  
(BY OTHERS)

LYSAGHT® BOTTOM FLASHING 0.55mm  
BMT thk. IN COLORBOND® STEEL WITH  
SILICON SEALANT

LYSAGHT® ROOF FLASHING 0.55mm BMT  
thk. IN COLORBOND® STEEL

300mm MIN

200mm MIN

200mm MIN

Copyright : This design and print is the property of NS BlueScope Lysaght Malaysia Sdn. Bhd. and must not be used reproduced or copied, wholly or in part without written permission from Company. All rights reserved.



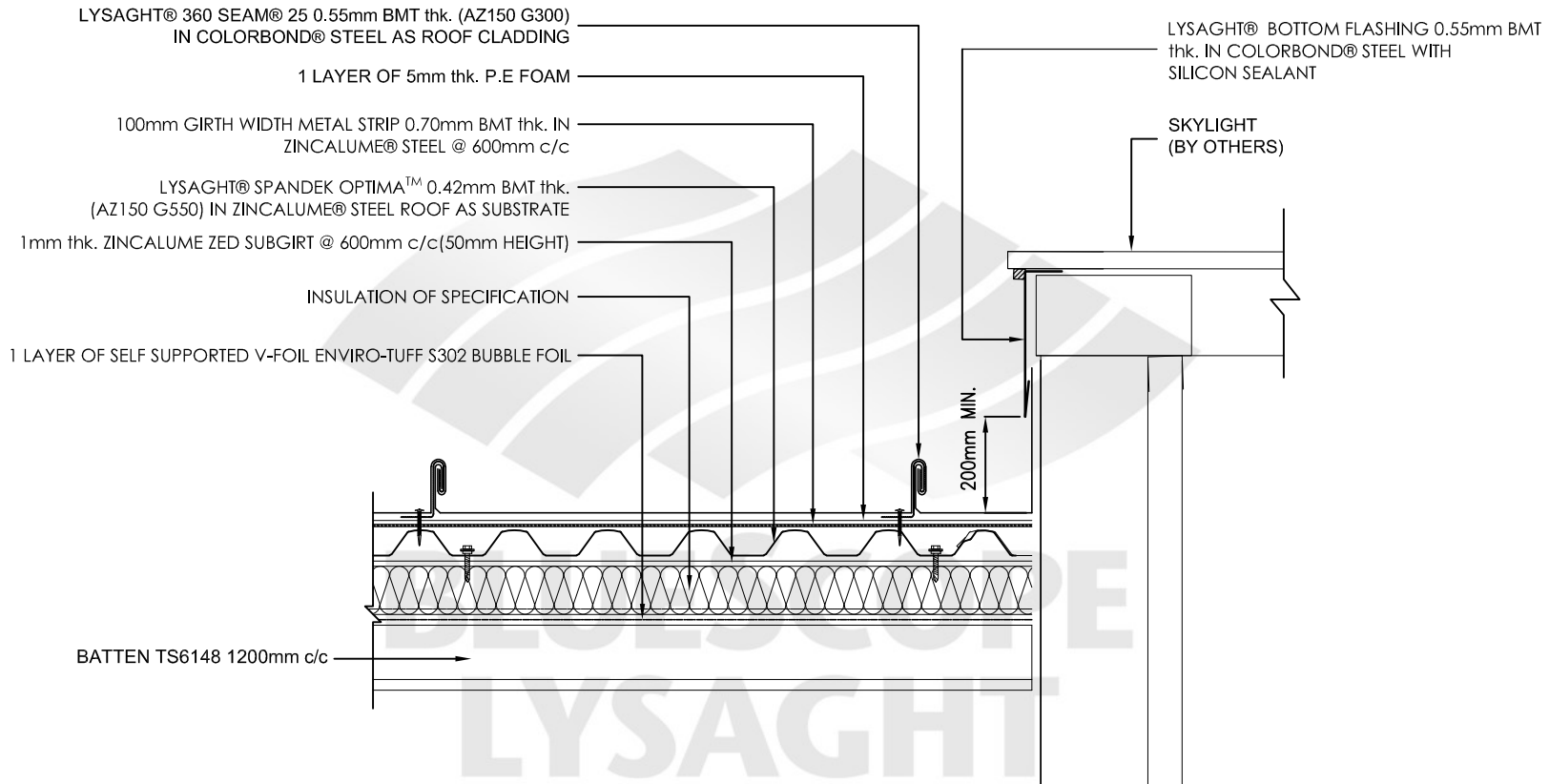
**NS BlueScope Lysaght  
Malaysia Sdn. Bhd.**  
No.6 Persiaran Kemajuan Seksyen 16  
40200 Shah Alam.  
Selangor Darul Ehsan, Malaysia.  
Tel. : (603) 5520 6600  
Fax : (603) 5520 6601

PROJECT:  
-

DRAWN BY:		CHECKED BY:		APPROVED BY:	
ZAID		JULAILI		SURAYA	
REV.	DATE	DESCRIPTION			
CAD FILENAME:		T:/SRT_OG/NON-JKR	PAPER SIZE:	A3	

TITLE:		DRAWING NO:		REV.
TYPICAL SKYLIGHT FLASHING DETAIL LYSAGHT® 360 SEAM®		BSLM/0520/TYP/TR-DTL-14		0
SCALE:	N.T.S	DATE :	21.05.2020	

File C:\Users\T20212\Desktop\New Lysaght 360 Seam.dwg [Wed 01 Jul 2020 - 3:00pm] PLOTTED BY: tizahz



Copyright : This design and print is the property of NS BlueScope Lysaght Malaysia Sdn. Bhd. and must not be used reproduced or copied, wholly or in part without written permission from Company. All rights reserved.



**NS BlueScope Lysaght  
Malaysia Sdn. Bhd.**  
No.6 Persiaran Kemajuan Seksyen 16  
40200 Shah Alam.  
Selangor Darul Ehsan, Malaysia.  
Tel. : (603) 5520 6600  
Fax : (603) 5520 6601

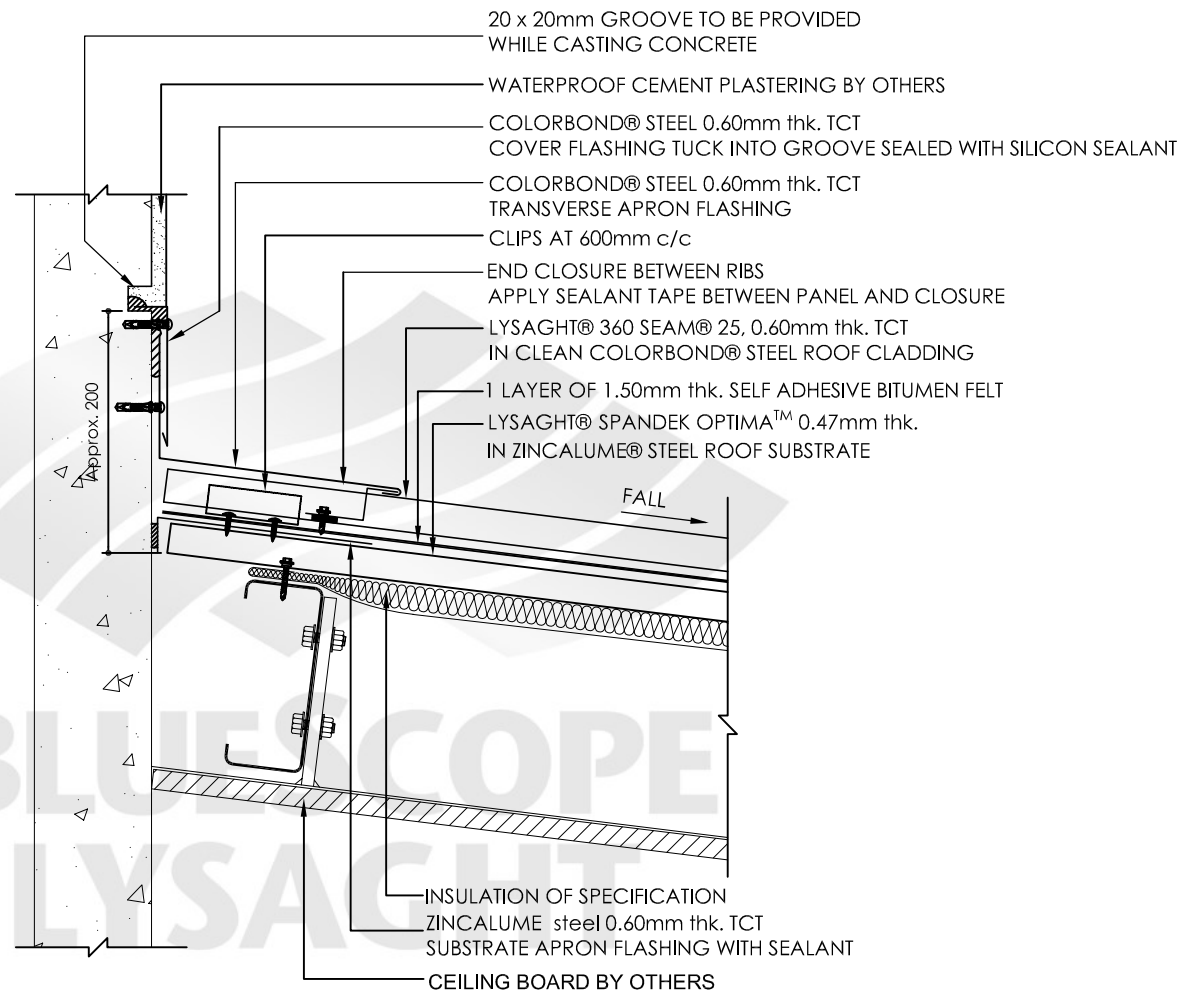
PROJECT:  
-

DRAWN BY:		CHECKED BY:		APPROVED BY:	
ZAID		JULALI		SURAYA	
REV.	DATE	DESCRIPTION			
CAD FILENAME:		T:/SRT_OG/NON-JKR		PAPER SIZE	A3

TITLE:  
**TYPICAL SIDE SKYLIGHT FLASHING DETAIL  
LYSAGHT® 360 SEAM®**

SCALE:	N.T.S	DRAWING NO:	BSLM/0520/TYP/TR-DTL-15	REV.	0
DATE :	21.05.2020				





Copyright : This design and print is the property of NS BlueScope Lysaght Malaysia Sdn. Bhd. and must not be used reproduced or copied, wholly or in part without written permission from Company. All rights reserved.

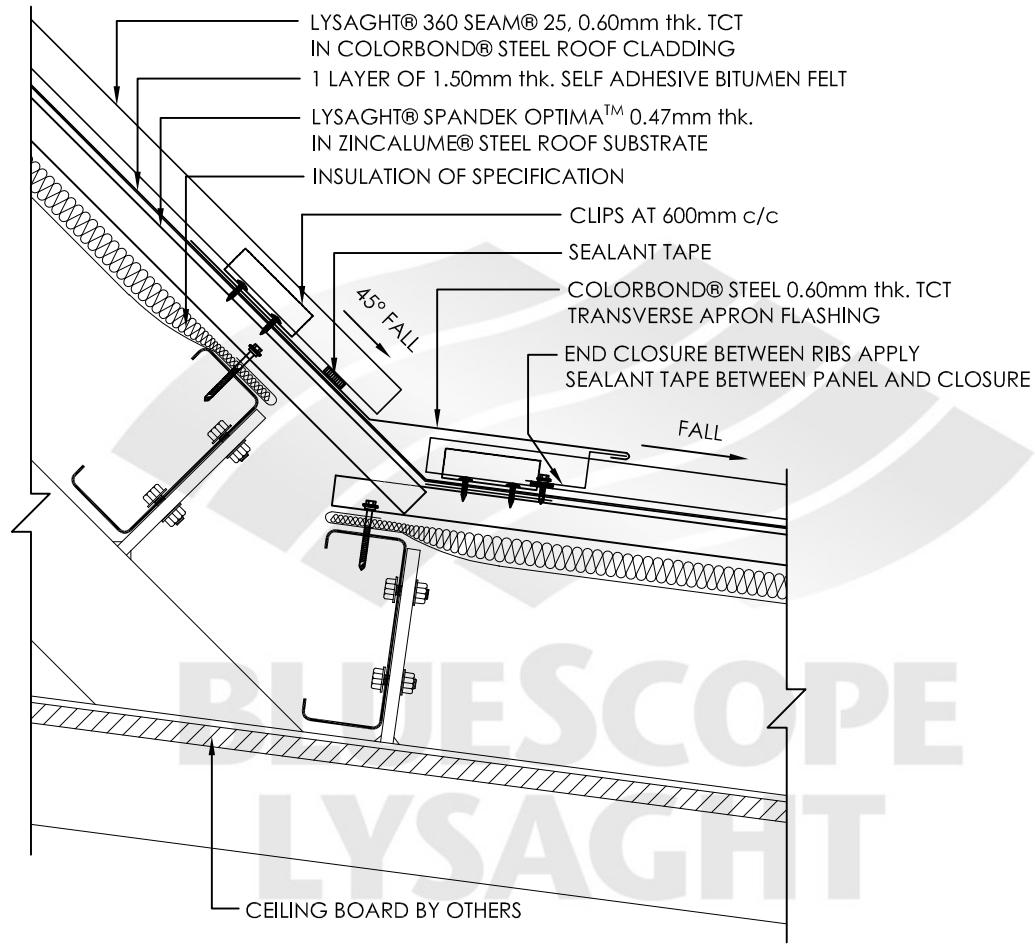
**NS BlueScope Lysaght Malaysia Sdn. Bhd.**  
 No.6 Persiaran Kemajuan Seksyen 16  
 40200 Shah Alam.  
 Selangor Darul Ehsan, Malaysia.  
 Tel. : (603) 5520 6600  
 Fax : (603) 5520 6601

PROJECT:  
-

DRAWN BY:		CHECKED BY:		APPROVED BY:	
ZAID		JULALI		SURAYA	
REV.	DATE	DESCRIPTION			
CAD FILENAME:		T:/SRT_OG/NON-JKR	PAPER SIZE:	A3	

TITLE:		DRAWING NO:		REV.
TYPICAL TRANSVERSE APRON FLASHING DETAIL 1		BSLM/0520/TYP/TR-DTL-16		0
LYSAGHT® 360 SEAM®		SCALE:	N.T.S	
		DATE :	21.05.2020	

FileC:\Users\T20201\Desktop\New Lysaght 360 Seam.dwg [Wed 01 Jul 2020 - 3:01 pm] PLOTTED BY: tzjohz



Copyright : This design and print is the property of NS BlueScope Lysaght Malaysia Sdn. Bhd. and must not be used reproduced or copied, wholly or in part without written permission from Company. All rights reserved.



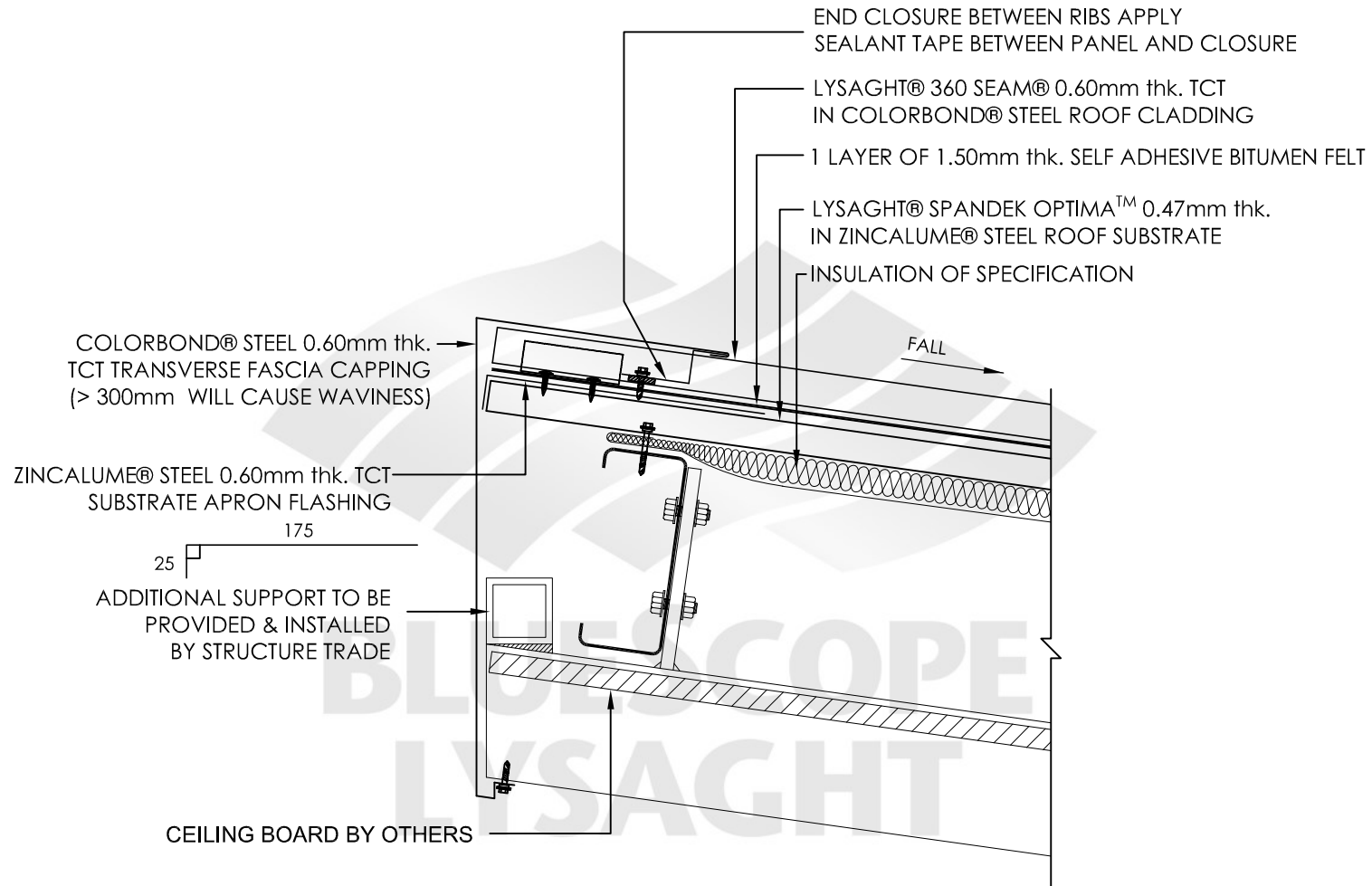
**NS BlueScope Lysaght**  
**Malaysia Sdn. Bhd.**  
 No.6 Persiaran Kemajuan Seksyen 16  
 40200 Shah Alam.  
 Selangor Darul Ehsan, Malaysia.  
 Tel. : (603) 5520 6600  
 Fax : (603) 5520 6601

PROJECT:  
-

DRAWN BY:		CHECKED BY:		APPROVED BY:	
JULAILI		JULAILI		SURAYA	
REV.	DATE	DESCRIPTION			
CAD FILENAME:		T./SRT_OG/NON-JKR	PAPER SIZE	A3	

TITLE:		TYPICAL TRANSVERSE APRON FLASHING DETAIL 2			
		LYSAGHT® 360 SEAM®			
SCALE:	N.T.S	DRAWING NO:		REV.	
DATE :	21.05.2020	BSLM/0520/TYP/TR-DTL-17		0	

FileC:\Users\T20201\Desktop\New Lysaght 360 Seam.dwg [Wed 01 Jul 2020 - 5:01 pm] PLOTTED BY: tzjohz



Copyright : This design and print is the property of NS BlueScope Lysaght Malaysia Sdn. Bhd. and must not be used reproduced or copied, wholly or in part without written permission from Company. All rights reserved.

**NS BlueScope Lysaght**  
**Malaysia Sdn. Bhd.**  
 No.6 Persiaran Kemajuan Seksyen 16  
 40200 Shah Alam.  
 Selangor Darul Ehsan, Malaysia.  
 Tel. : (603) 5520 6600  
 Fax : (603) 5520 6601

PROJECT:

-

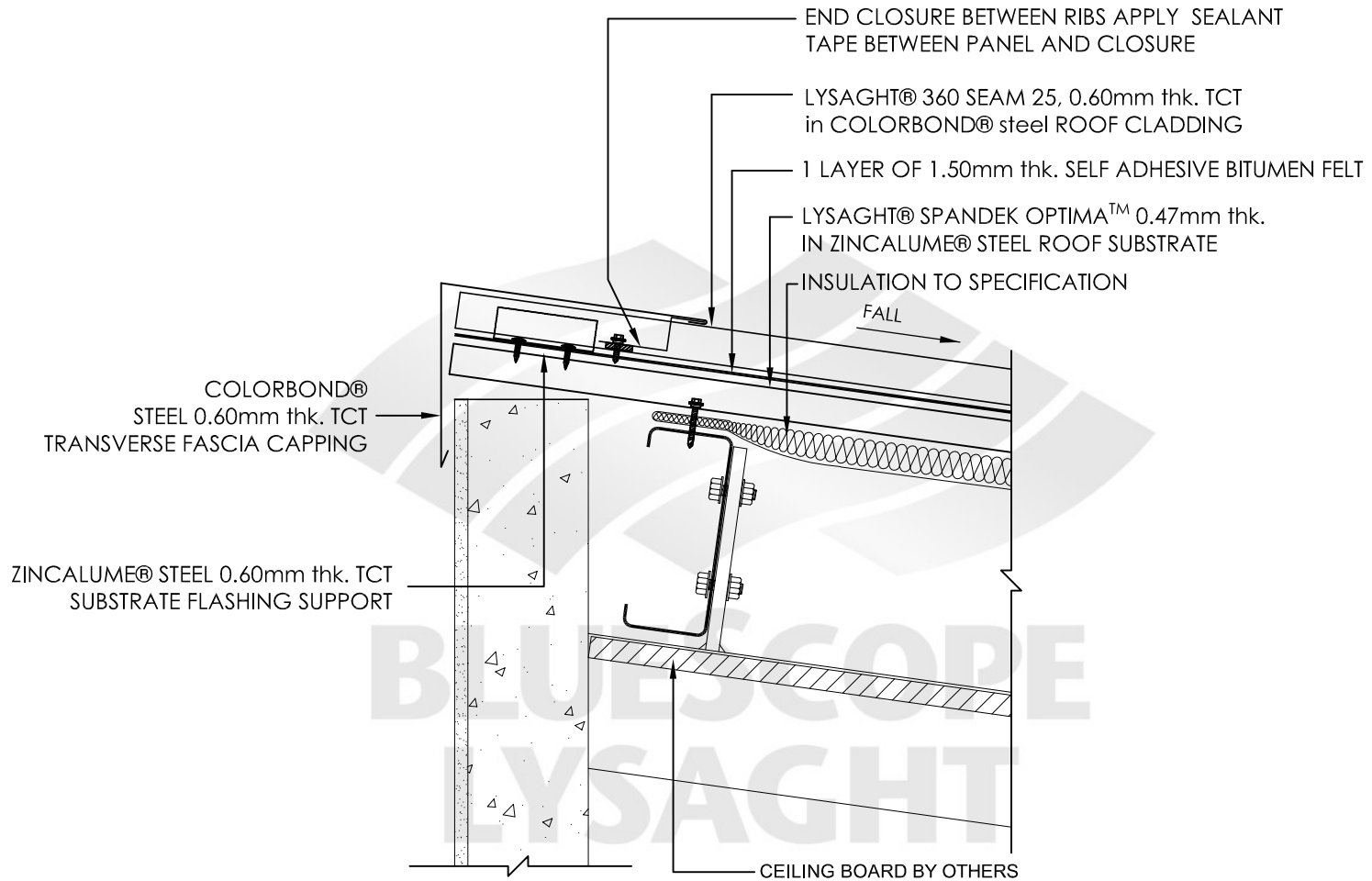
DRAWN BY:		CHECKED BY:		APPROVED BY:	
ZAID		JULAILI		SURAYA	
REV.	DATE	DESCRIPTION			
CAD FILENAME:		T./SRT_OG/NON-JKR	PAPER SIZE	A3	

TITLE:  
**TYPICAL TRANSVERSE FLASHING DETAIL 1**  
**LYSAGHT® 360 SEAM®**

SCALE: N.T.S  
 DATE : 21.05.2020

DRAWING NO:  
**BSLM/0520/TYP/TR-DTL-18**

REV.  
**0**



Copyright : This design and print is the property of NS BlueScope Lysaght Malaysia Sdn. Bhd. and must not be used reproduced or copied, wholly or in part without written permission from Company. All rights reserved.

**NS BlueScope Lysaght**  
**Malaysia Sdn. Bhd.**  
 No.6 Persiaran Kemajuan Seksyen 16  
 40200 Shah Alam.  
 Selangor Darul Ehsan, Malaysia.  
 Tel. : (603) 5520 6600  
 Fax : (603) 5520 6601

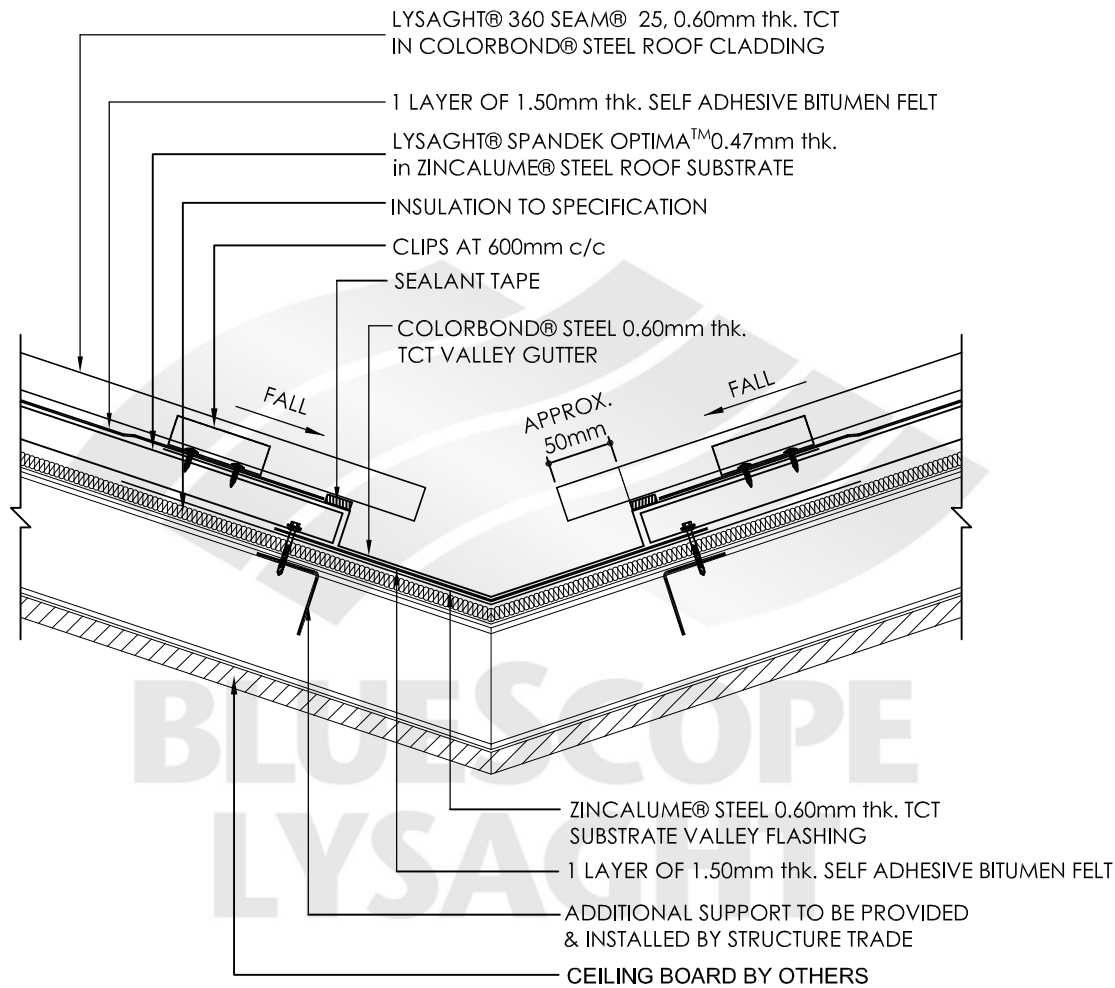


PROJECT:  
-

DRAWN BY:		CHECKED BY		APPROVED BY	
ZAID		JULALI		SURAYA	
REV.	DATE	DESCRIPTION			
CAD FILENAME:		T:/SRT_OG/NON-JKR	PAPER SIZE	A3	

TITLE:  
**TYPICAL TRANSVERSE FLASHING DETAIL 2**  
**LYSAGHT® 360 SEAM®**

SCALE:	N.T.S	DRAWING NO:	BSLM/0520/TYP/TR-DTL-19	REV.	0
DATE :	21.05.2020				



Copyright : This design and print is the property of NS BlueScope Lysaght Malaysia Sdn. Bhd. and must not be used reproduced or copied, wholly or in part without written permission from Company. All rights reserved.


**NS BlueScope Lysaght**  
**Malaysia Sdn. Bhd.**  
 No.6 Persiaran Kemajuan Seksyen 16  
 40200 Shah Alam.  
 Selangor Darul Ehsan, Malaysia.  
 Tel. : (603) 5520 6600  
 Fax : (603) 5520 6601

PROJECT:  
-

DRAWN BY:		CHECKED BY:		APPROVED BY:	
ZAID		JULAILI		SURAYA	
REV.	DATE	DESCRIPTION			
CAD FILENAME:		T:/SRT_OG/NON-JKR	PAPER SIZE:	A3	

TITLE:

**TYPICAL VALLEY GUTTER**  
**LYSAGHT® 360 SEAM®**

SCALE: N.T.S

DRAWING NO:

DATE : 21.05.2020

**BSLM/0520/TYP/TR-DTL-20**

REV.

**0**