



## LYSAGHT® DORA TILE™

AS YOU BUILD TO THE TOP FINISH THE  
JOB IN STYLE

**DORA TILE™** combines the aesthetic appeal of clay tiles with the functionality and durability of steel roofing. It's state-of-the-art features include long life due to the high quality of materials used; long length which reduces the risk of leaks; light weight which makes for quick and easy installation; and a wide range of colours to suit individual tastes and preferences. We offer the following warranty:

- (a) Improved Clean COLORBOND®
- 25 years against perforation by corrosion
  - 10 years against peeling/excessive chalking of colour
  - 5 years against discoloration by dirt staining.
- (b) PRIMAMAJU™
- 10 years against perforation by corrosion

\* Warranty terms and conditions apply.



THERMAL  
EFFICIENCY



DESIGN  
FLEXIBILITY



DURABILITY



HI-TECH



RECYCLING



COLOUR

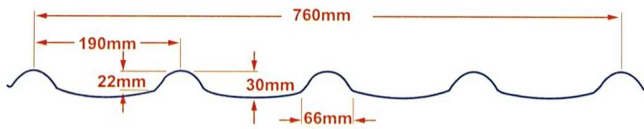


WARRANTY

# DORA TILE™

DORA TILE™ is a complete roofing system featuring long-length, metal tile panels.

## SPECIFICATIONS



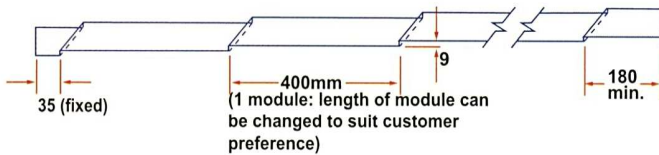
|                        |        |        |
|------------------------|--------|--------|
| Base metal thickness   | 0.35mm | 0.42mm |
| Total coated thickness | 0.40mm | 0.47mm |

## VARIABLE MODULE LENGTH:

The advantage of DORA TILE™ is that it can be supplied in various modules from 180mm upwards. The standard module size produced is 400mm.

## LENGTHS

Lengths of sheet available are multiples of the stepped pitch of one module plus an initial of 35mm.



The maximum cut length is 6835mm (17 modules)  
The minimum cut length is 835mm (2 modules)

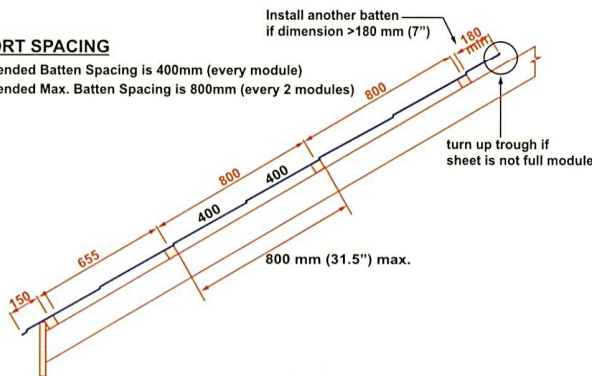
## ROOF PITCH

DORA TILE™ is suitable for any roof slope from 7½° minimum.

## INSTALLATION PROCEDURE FOR 400mm MODULE

### SUPPORT SPACING

Recommended Batten Spacing is 400mm (every module)  
Recommended Max. Batten Spacing is 800mm (every 2 modules)



## RECOMMENDED FASTENERS

- Use No. 12 x 65 mm hex. washer head screws with seal to fasten timber battens
- Use No. 12 x 65 mm hex. washer head screws with seal to fasten to steel purlins not more than 4.5 mm
- Use No. 10 x 25 mm hex. washer head screws with seal for capping and flashing to DORA TILE™ and side lap

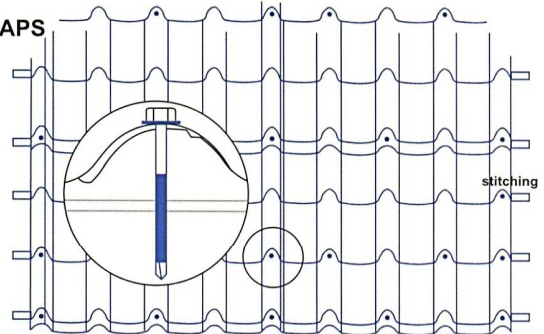
## FASTENERS LOCATION AND FREQUENCY

At the eaves batten insert fasteners as shown. For the next batten which is after the eaves batten insert fasteners as shown.

From this batten onwards, when working upwards:

- 1) insert a fastener at every module at side laps (internal laps)
- 2) insert a fastener at every module between side laps
- 3) insert a fastener at horizontal overlap

## ENDLAPS



\* Provide stitching fasteners where necessary

## WALKING ON ROOF SHEETING

When walking on DORA TILE™ keep weight evenly distributed over the sole of the feet, not concentrated on heel or toe. Step on the valley/pan only. Feet should rest on the timber or steel support. Always wear soft sole shoes, avoid the ribbed type that pick up and hold small stones. Sheets taken freshly from packs may have an oily surface and care should be exercised when walking on newly laid sheets until the oil has had time to evaporate. This applies particularly to steep pitched roof.

To find out more about **LYSAGHT® DORA TILE™**, kindly contact BlueScope Lysaght (Brunei) Sdn. Bhd or our distributor:

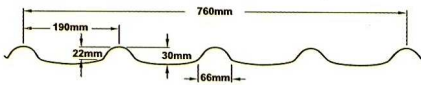
### NS BLUESCOPE LYSAGHT (BRUNEI) SDN BHD

INDUSTRIAL COMPLEX,  
BERIBI PHASE 1,  
6KM, JALAN GADONG,  
BANDAR SERI BEGAWAN BE 1118,  
BRUNEI DARUSSALAM.  
TEL: 673-244 7155 FAX: 673-244 7154

www.bluescopelysaght.com.bn

# LYSAGHT® DORA TILE™

Steel roofing tile panels



**LYSAGHT® DORA TILE™ STEEL ROOFING TILE PANELS HAS THE AESTHETIC APPEARANCE OF CLASSIC ROOF TILES. IT IS CONSIDERABLY LIGHTER AT ONE TENTH THE WEIGHT OF CLAY TILES. COMBINED WITH THE HIGH STRENGTH OF STEEL LYSAGHT® DORA TILE™ IS STRONGER, AS IT COMES IN STEEL PANELS FASTENED DOWN WITH STEEL FASTENERS, MAKING IT RESILIENT TO THE STRONGEST ELEMENTS OF NATURE.**

**LYSAGHT® DORA TILE™** is a complete roofing system featuring long-length, metal tile panels with a standard total coated thickness of 0.40 mm.

## TYPICAL APPLICATIONS

**LYSAGHT® DORA TILE™** is applicable for all types of residential and non-residential projects – from bungalows and other housing developments, to schools, hospitals, commercial and industrial infrastructures.

## OPTIONS FOR PRE-PAINTED STEEL

### Improved *clean* Colorbond®

- 25 years against perforation by corrosion
- 10 years against peeling / excessive chalking of colour
- 5 years against discolouration from dirt stains

### PrimaMaju™

- 10 years against perforation by corrosion

*\* Subject to warranty terms and conditions apply.*

*For further specifications, product information, and installation advice about LYSAGHT® DORA TILE™, kindly contact BlueScope Lysaght (B) Sdn. Bhd.*



*Sungai Liang Low-cost Housing, Brunei*

## LYSAGHT® DORA TILE™ PRODUCT BENEFITS

---

- LIGHTER THAN TRADITIONAL CLAY TILES
  - LONG LENGTH WHICH REDUCES THE RISK OF LEAKS
  - LIGHT WEIGHT WHICH MAKES FOR QUICK AND EASY INSTALLATION
  - ALL WEATHER PERFORMANCE
  - GENUINE LYSAGHT® MATERIAL WARRANTY AND PRODUCT CERTIFICATION
- 



*X6 Jalan Maulana Private House, Brunei*



*Sungai Liang Low-cost Housing, Brunei*



*Sungai Liang Low-cost Housing, Brunei*